

RULES AND REGULATIONS

for the conduct of

SMALL-BORE AND AIR RIFLE, SMALL-BORE AND AIR PISTOL AND CROSSBOW COMPETITIONS

under the auspices of

THE NATIONAL SMALL-BORE RIFLE ASSOCIATION

CONTENTS

	Section
General	1
Affiliated Organisations	2
Qualifications	3
Shooters with Physical Disabilities	4
Scoring and Tie Breaking	5
Meetings	6
Postal Competitions	7
Rifle Rules	8
Pistol Rules	9
Target Dimensions	Appendix A
Gauge Dimensions	Appendix B

Match crossbow rules comply with the IAU (International Crossbow Union) rule book which can be purchased from the NSRA.

Except where otherwise stated, air rifle, air pistol and running target rules comply with the ISSF (International Shooting Sport Federation – formerly the UIT) rule book which can be purchased from the NSRA.

The International Paralympic Committee Shooting Rules and Regulations (see Rule 4) can also be purchased from the NSRA.

FOREWORD

The sport of target shooting, and the interpretation of any rule, is governed and conditioned by the SPIRIT OF SPORTSMANSHIP.

Whilst every endeavour has been made, in drafting these rules, to ensure that the competitors know what is required of them, the spirit and intention of each rule must be apparent and obvious and will, therefore, be the guiding principle of the Association in considering any infringement.

The rifle or pistol rules must be read in conjunction with the general and meeting or postal rules as appropriate.

IT CANNOT BE STRESSED TOO STRONGLY THAT THE SUCCESS OF SHOOTING, AND PARTICULARLY OF POSTAL SHOOTING, DEPENDS ON STRICT ADHERENCE TO THE RULES AND CONSCIENTIOUS WITNESSING BY QUALIFIED OFFICIALS WHO MUST BE FULLY CONVERSANT WITH THESE RULES.

AUTHORISATION

The following Rules and Regulations for target shooting were adopted at a meeting of the Shooting Council of the National Small-bore Rifle Association held 24 October 1998. This printing incorporates all subsequent amendments effective as at 1 April 2023.

1 GENERAL

1.1 Words denoting the masculine are to be taken to include the feminine.

1.2 Shooting positions for all competitions shall be as defined in the relevant Rules and as designated in the competition conditions.

1.3 The term 'shooting club' or 'club' refers to a club which carries on rifle and/or pistol shooting wholly or partly with guns and ammunition as defined in these rules. This includes air rifle, air pistol, crossbow and archery clubs.

1.4 Where a rule refers to a right-handed shooter, the reverse of that rule refers to a left-handed shooter.

1.5 Any particulars required by the conditions of any competition must be correctly stated on the entry form. The penalty for wilful falsification of entry will be determined by the Referees Committee.

1.6 DRUG ABUSE

1.6.1 The use of drugs in furthering shooting performance is prohibited with particular reference to the improper use of substances belonging to the group known as beta-blockers.

1.6.2 The proper use of medication prescribed by a doctor for therapeutic purposes and declared by the competitor prior to testing will not be considered to fall within the definition of drug abuse.

1.6.3 The Association reserves the right to carry out random drug testing of competitors.

1.6.4 The penalty for improper use of drugs in furtherance of shooting performance is a period of suspension from competition at the discretion of the Referees Committee.

1.7 DISCREDITABLE CONDUCT AND FAILURE TO OBSERVE RULES

1.7.1 It is the responsibility of all shooters, team officials and range officials to make themselves acquainted with NSRA rules and regulations, the special conditions applicable to any meeting or competition and orders exhibited on the notice-board at meetings in which they take part. Ignorance of any rule, condition or order will not be accepted as an excuse.

1.7.2 A shooter or team infringing any rule or regulation or proved guilty of any dishonest, discreditable or dangerous conduct is rendered liable to disqualification and to suspension from taking part in any further NSRA competitions. Any shooter or witness conniving at such conduct renders himself liable to similar penalties. Any person failing to report immediately to the NSRA any breach of rules and regulations which is known to or suspected by him also renders himself liable to similar penalties.

1.7.3 Without prejudice to any disciplinary action which may have been taken by a category A, B, C, D or E club or organisation, any such club or organisation may report to the NSRA any infringement by a shooter of any rule governing a competition organised by that club or organisation and shall report any dishonest, discreditable or dangerous conduct.

1.8 PROTECTION

1.8.1 **Ears.** All shooters, and other persons in the immediate vicinity of the firing line, are urged to wear ear plugs, ear muffs, or similar ear protection.

1.8.2 **Eyes.** All shooters are encouraged to wear shatterproof shooting glasses, or similar eye protection, whilst shooting.

1.9 SAFETY

1.9.1 The safety of shooters, range officers, spectators and the general public is of paramount importance and requires continued and careful attention to handling of rifles, pistols and crossbows, and caution in moving about in the range. Self-discipline is necessary on the part of all. Where such self-discipline is lacking, it is the duty of range officers to enforce discipline and the duty of shooters and officials to co-operate and assist in such enforcement.

1.9.2 The range will be under the command of a Chief Range Officer and such assistant Range Officers as may be appointed. For the purpose of this rule, the range is that area of ground including the line of targets, the firing line and any area to the rear thereof in which all persons are under the jurisdiction of the Range Officer.

1.9.3 Rifles, pistols and crossbows must be unloaded at all times when they are uncased, except when they are being used under the orders of a range officer.

1.9.3.1 For rifles and pistols, unloaded means that no cartridge or pellet is:

1.9.3.1.1 in the chamber or on the loading platform;

1.9.3.1.2 in a fixed magazine;

1.9.3.1.3 in a removable magazine, whether or not it is in place on the rifle or pistol.

1.9.3.1.4 In addition the bolt or action of a rifle or pistol must be open and the chamber entrance either open to view or have a breech flag inserted.

- 1.9.3.2 For crossbows, unloaded means that:
 - 1.9.3.2.1 no bolt is in the bolt retainer;
 - 1.9.3.2.2 the crossbow is not spanned.
- 1.9.4 Under no circumstances may a rifle, pistol or crossbow:
 - 1.9.4.1 be loaded except on the firing point with the muzzle pointing in the direction of the butts;
 - 1.9.4.2 be fired in any direction other than towards the target/s appropriate to that firing point;
 - 1.9.4.3 be taken from the firing point whilst loaded;
 - 1.9.4.4 be pointed at any person, whether loaded or unloaded;
 - 1.9.4.5 be placed on the ground, a shooting bench or elsewhere whilst loaded, in a manner such that it ceases to be under the immediate physical control of the shooter.
- 1.9.5 No unsupervised person may handle a rifle or pistol or its ammunition, or a crossbow, unless he is:
 - 1.9.5.1 acquainted with the relevant safety rules; and
 - 1.9.5.2 familiar with the equipment and/or ammunition; and
 - 1.9.5.3 not precluded from doing so by the provisions of the Firearms Acts or any other relevant legislation or requirements.
- 1.9.6 Shooting on firing points that are in close proximity will normally be of only one format in terms of type of firearm used and course of fire. Shooting in two or more formats will take place only where there is no risk of safety being compromised. Confusion or distraction of shooters or range officers by any circumstance (intruding range commands and/or different rates of fire) must be avoided.
- 1.9.7 The firing points will be kept clear at all times, except for shooters actually firing or about to fire, and for such range personnel as may be necessary. Any person who interferes with or annoys shooters in any way will be warned to desist, and upon failure to do so, will be ordered from the range.

1.10 RANGES AND TARGETS

- 1.10.1 The length of a range is determined by the measurement of the shortest distance between the front marked edge of the firing point used by the shooters and the face of the targets. The club shall provide a measure for the use of a witness in measuring the range.
- 1.10.2 No part of the shooter may be in contact with the ground in front of the front marked edge of the firing point or with the shooting bench, where used.
- 1.10.3 The length of the range must be as exact as possible, subject to the following allowable variations:

100 yards	+/- 12 in		50 metres	+/- 0.20 m
50 yards	+/- 8 in		25 metres	+/- 0.10 m
25 yards	+/- 4 in		10 metres	+/- 0.05 m
20 & 15 yards	+/- 3 in			
6 yards	+/- 2 in			

- 1.10.4 An outdoor range is one that is open to the skies for at least 90 per cent of the area of the range between firing point and butts. Targets may be fired in natural or artificial light.
- 1.10.5 Each firing point shall be numbered and target positions shall be numbered to correspond with the firing point.
- 1.10.6 Each aiming mark is termed a 'target'. A 'card' may comprise more than one target. The term 'card' shall be taken to include the printed record of competitions shot on electronic targets as produced by the target system used, whether in strip or sheet format, and any start card if issued.
- 1.10.7 All competitions will be fired on targets of the appropriate dimensions. For dimensions see appendix 'A'.
- 1.10.8 For competitions fired on paper targets, only cards supplied by or authorised by the NSRA may be used.
- 1.10.9 For competitions fired on electronic targets:
 - 1.10.9.1 The equipment shall comprise:
 - 1.10.9.1.1 hardware of makes and models approved by the NSRA;
 - 1.10.9.1.2 software originally supplied with the hardware or supplied and/or installed subsequently with the approval of the hardware manufacturer, and which has not been altered by any unauthorised person.
 - 1.10.9.2 The hardware shall be registered with the NSRA.
 - 1.10.9.3 The owner of the equipment, whether an association, club or individual, shall arrange for an accuracy test to be conducted on each machine by a competent person at intervals not exceeding six months. In addition a test must be conducted after a machine has been the subject of a major service or repair. The accuracy test must be conducted in accordance with guidance issued by the NSRA. Test results must be retained by the owner for not

less than 18 months following the date of the test and shall be made available to the NSRA on request. The NSRA also reserves the right to have the equipment inspected and checked for accuracy by its own nominee.

1.10.10 The whole of the target scoring area and the aiming mark must be visible to the firer.

1.11 ARTIFICIAL SUPPORTS

In all positions no artificial rest of any kind is permitted unless authorised under Rule 4. No part of the shooter's clothing may touch his telescope, telescope stand or other equipment, the shooting bench, adjacent walls or other range furniture or fixtures whilst he is firing or on aim.

1.12 CHALLENGE CUPS AND TROPHIES

Adequate guarantee for the safeguard and return of all challenge cups and trophies is required. NSRA challenge trophies may not be taken outside the United Kingdom.

1.13 COMPETITIONS UNDER INTERNATIONAL RULES

Rules for shooting jackets, trousers, boots and equipment generally are specified in rule books published by the ISSF for small-bore and air rifle and pistol competitions and by the IAU for match crossbow competitions under international rules.

1.14 AMENDMENTS TO RULES AND REGULATIONS

Amendments to these rules and regulations shall require approval by simple majority of those attending and voting at a meeting of the NSRA Shooting Council. Amendments will come into effect on 1 April next following the date of approval.

2 AFFILIATED ORGANISATIONS

2.1 CATEGORY A - RIFLE AND PISTOL CLUBS

2.1.1 A body of people, who form a bona-fide and legally constituted shooting club affiliated to the NSRA whose regular practice and team home matches are fired at ranges on not more than two sites (one indoor and one outdoor) per discipline (rifle, pistol, airgun, crossbow).

2.1.2 This definition applies equally to sub-sections of business house groups, national, county and/or area organisations, such as the police, transport and similar bodies. Organisations that operate more than two ranges per discipline may affiliate in category B but are not eligible to compete as a club.

2.2 CATEGORY B - LOCAL ASSOCIATIONS OR LEAGUES

2.2.1 A number of shooting clubs located within an approved predetermined area, competing in league or other competitions organised by a local or district league or association, or

2.2.2 A number of fully constituted and affiliated shooting clubs located within an approved predetermined area which together form a business house shooting association, or county organisation (e.g. county police force, transport company, etc.) which is itself affiliated to the NSRA.

2.3 CATEGORY C - COUNTY ASSOCIATIONS

2.3.1 A county association is an approved body, which may incorporate not fewer than six shooting clubs, and in addition leagues and local associations, operating under an approved constitution, the ranges of the constituent units of which are situated within a county boundary or boundaries. 'Counties' are specified as those areas (English, Welsh and Northern Ireland counties, Scottish regions or other areas), the boundaries of which have been defined and agreed by the Shooting Council.

2.3.2 In exceptional circumstances and subject to the approval of the Shooting Council, adjoining counties generally not more than two in number and in each of which there are fewer than six clubs, may be incorporated into one county association.

2.3.3 Should any county having fewer than six clubs be adjoined only by another county or counties in which there are six or more clubs it may, subject to the approval of the Shooting Council, combine with an adjoining county to form one county association.

2.3.4 County status shall be accorded to cities only if the representative bodies of both (a) the city and (b) the county concerned mutually agree to separate entity and recognition.

2.3.5 Subject to over-riding jurisdiction of the NSRA, each county association shall have control over target shooting with all calibres up to 5.6 mm (.22 in) and with match and sport crossbows in competitions promoted for its constituent clubs and other organisations.

2.4 CATEGORY D

Any other type of organisation which is formed to promote the interests of target shooting and which is not defined under categories A, B and C in this rule. The activities of such units will be confined to a predetermined sphere of interest and/or area.

2.5 CATEGORY E

Other types of organisations not covered by the previous four categories and accepted at the discretion of the Board of Management on such terms and conditions as may be stipulated by the Board of Management.

2.6 GENERAL

- 2.6.1 All constituent units in categories B and C must be directly affiliated to the NSRA and all category A and category B organisations should also be affiliated to the appropriate county association.
- 2.6.2 All category A, B, C, D and E clubs and organisations will be required to conform to the terms of their constitution which must be provided to and approved by the NSRA before affiliation is granted. Subsequent alterations must be notified to the NSRA.

QUALIFICATIONS

3.1 ELIGIBILITY TO COMPETE

- 3.1.1 The following are eligible to compete in NSRA competitions, subject to the special conditions of any competition.
 - 3.1.1.1 In individual competitions, any Life or Annual member of the NSRA.
 - 3.1.1.2 In club team competitions, any club affiliated to the NSRA. Each member of a team must be a Life, Annual or Associate member of the NSRA and must have been a member of the club for at least one month prior to the date of shooting in the team for the first time.
 - 3.1.1.3 In county team competitions, any county association affiliated to the NSRA. The members of a team are not required to hold any level of individual membership of the NSRA.
 - 3.1.1.4 In other team competitions, the members of a team are not required to hold any level of individual membership of the NSRA.

3.2 QUALIFICATION FOR NATIONAL COMPETITIONS

- 3.2.1 In national team championships, the qualification of team members and officials to represent a home country shall be one or more of the following:
 - 3.2.1.1 parental descent; or
 - 3.2.1.2 country of birth; or
 - 3.2.1.3 country of residence for a continuous period of not less than five years immediately preceding the date of the match; or
 - 3.2.1.4 has shot for that country before.
 - 3.2.2 A person who has shot for a home country may subsequently represent another home country provided that:
 - 3.2.2.1 the person shot for the home country whilst a junior under the age of 21 as defined in rule 3.5.1, has ceased to be a junior and has not shot in any home country international match since ceasing to be a junior; or
 - 3.2.2.2 the home country to which he wishes to change became recognised as such on a date subsequent to that when he first represented any other home country; and
 - 3.2.2.3 he shall be qualified to represent that home country under Rules 3.2.1.1 to 3.2.1.4; and
 - 3.2.2.4 he shall relinquish for all time any claim to represent his previous home country.
 - 3.2.3 Confined British individual championships are restricted to persons qualified to represent any home country under provisions of Rule 3.2.1.
 - 3.2.4 Confined individual championships of each home country are restricted to persons qualified to represent each home country under provisions of Rules 3.2.1.1 to 3.2.1.4.
 - 3.2.5 A person who has shot for a home country may subsequently enter a confined individual championship of another home country only under the provision of Rule 3.2.2.
 - 3.2.6 Subject to Rule 3.2.5 person eligible to enter confined individual championships of more than one home country may compete in any confined individual championship of only one home country in any one calendar year.
- ### **3.3 QUALIFICATION FOR COUNTY COMPETITIONS**
- 3.3.1 In County Team competitions, the qualification of team members to represent a county shall be county of current residence.
 - 3.3.2 A shooter cannot shoot for more than one county in any one season.

- 3.3.3 Where a shooter has shot for his county of current residence in a competition before changing his residence, he remains eligible for the county of original residence until completion of that competition.
- 3.3.4 Where a shooter is deemed to have current residence in more than one county he may elect to shoot for either county, but may represent only one county in any one year taking the winter season and the subsequent summer season as a year for purposes of this rule.
- 3.3.5 An appeal against a decision shall be referred to the Referees Committee whose decision shall be final.

3.4 QUALIFICATION FOR CLUB TEAM COMPETITIONS

Each shooter must be a bona fide shooting member of the club he is representing and have been such for at least one calendar month prior to shooting for that club in team competitions.

3.5 QUALIFICATION FOR JUNIORS AND VETERANS

3.5.1 In competitions restricted to juniors, competitors must be under the age specified in the competition conditions:

- 3.5.1.1 in postal competitions, on the closing date for entries for that competition;
- 3.5.1.2 in shoulder-to-shoulder events and at meetings, on the start date of the first competition at that event or meeting.
- 3.5.1.3 A certificate signed by a parent or other responsible person may be required.

3.5.2 In competitions restricted to veterans, competitors must have attained the age specified in the competition conditions:

- 3.5.2.1 in postal competitions, by the closing date for entries for that competition;
- 3.5.2.2 in shoulder-to-shoulder events and at meetings, by the start date of the first competition at that event or meeting.

3.6 RESTRICTED COMPETITIONS

In competitions restricted to industry generally or a specified trade, each factory, workshop or business house that enters must be affiliated under the name of the firm and all shooters must be bona fide employees or ex-employees of that firm and must be engaged in whatever capacity is required by the conditions of the competition.

4 SHOOTERS WITH PHYSICAL DISABILITIES

4.1 A shooter who because of physical disability cannot fire from one or more of the prescribed shooting positions outlined in these rules, or who must use special equipment when firing, may apply to the Referees Committee for permission to assume a special position or to use modified equipment, or both. The application will be in the form of a written request from the person concerned to the Committee outlining in detail the reasons why the special position must be assumed or the special equipment must be used. The application will be accompanied by pictures of the shooter in the position he desires approved and if special equipment is required, the picture will show how the equipment is used.

4.2 The Committee will review each application and may require additional or supplementary statements or pictures. If approved a special authorisation certificate will be issued, subject to any restrictions that the Committee may decide. Such certificates will have the relevant pictures attached. In the event of the Committee having doubt as to whether the issue of a certificate would give undue advantage over other shooters, the Committee will seek advice from other experts.

4.3 The grant of an authorisation certificate does not depend on the assessment of disability by an organisation for disabled people approved for that purpose by the NSRA. However, if the disability is of a type recognised in the shooting rules of an approved organisation, the shooter will normally be authorised by that organisation and required to shoot in accordance with the International Paralympic Committee Shooting Rules and Regulations.

4.4 A shooter who has received an authorisation certificate will be required to carry it when competing in competitions governed by NSRA rules and to produce the certificate when requested by officials of the competition or by NSRA officials or witnesses. A competitor whose shooting position or equipment is defined in IPC Shooting rules and regulations will be required to carry those rules, in addition to his personal certification.

4.5 Conditions

4.5.1 All authorisation certificates will be subject to the following standard conditions:

1. The person to whom this certificate is issued must notify the NSRA promptly of any change to the modified position, technique or equipment set out in this certificate and/or shown in the attached photographs.

2. The NSRA reserves the right at any time to:
 - (a) review the terms of this certificate;
 - (b) withdraw this certificate, whether or not replacing it with a revised certificate;
 - (c) request information on the scores and results achieved by the person to whom this certificate is issued.

4.5.2 The Referees Committee may include additional conditions on a certificate where deemed appropriate. It may also set a specific timescale for a review of an individual case, which shall be recorded on the certificate.

4.6 The levels of competition open to disabled shooters are defined in relation to the categories of disability recognised in IPC Shooting rules and regulations (SH1 and SH2), and are as follows:

Level of Competition	NSRA National Meetings	NSRA Postal Competitions	Categories of disabled shooters allowed to participate
1	Individual open and national championships run to full ISSF rules		SH1A competitors able to comply fully with ISSF or relevant rules.
2	International team matches		
3		International team matches	All SH1A, SH1B and SH1C competitors plus all SH1D competitors in all competitions except those involving cartridge rifle shooting in standing & kneeling positions.
4	Home countries internationals		
5	Inter-county team competitions		
6	Individual national championships run to NSRA rules or modified ISSF rules		
7	Other individual competitions		
8	Club team competitions, including knock-outs		As for levels 3 to 6 above, plus SH2 competitors in rifle, air rifle and lightweight sport rifle competitions excluding those involving: shooting in two or three positions; or timed or rapid fire.

4.7 Competitors who are authorised under the rules of another approved disabled sports organisation, or who hold an NSRA disability certificate, will be authorised to enter the same levels of competition as a particular SH category, or will be individually authorised to enter specific levels of competition.

4.8 In the event of a protest involving the position or the equipment used by such a shooter, the officials or witnesses will compare the questioned position or equipment with the certificate and photographs presented by the shooter. If the shooter's position or equipment does not, in the opinion of the officials or witness, conform to that authorised by the NSRA (or if the shooter has no authorised certificate or pictures), the protest shall be allowed and the shooter will be required to change immediately to the authorised or orthodox position or equipment.

4.9 Should a protest be carried beyond the officials or witnesses, the protest will be endorsed by the committee of the club or the organisation which is conducting the competition and will be forwarded to the NSRA.

5 SCORING AND TIE BREAKING

5.1 SCORING - GENERAL

5.1.1 All targets will be scored by the officer or officers appointed for that competition.

5.1.2 Only plug scoring gauges as offered for sale by the NSRA are officially recognised.

5.1.3 When the accurate use of the plug gauge is made difficult by the close proximity of another bullet hole, the shot value may be determined by means of an engraved gauge of some flat, transparent material, to aid in reconstructing the position of the scoring ring or number of bullet-holes which may overlap. Alternatively in some cases an oversize gauge may be available which scores to an adjacent undamaged scoring ring (see Rule 5.1.8).

- 5.1.4 The plug gauge must be inserted only once in any bullet hole when scoring in finals at meetings, in which case the score will be as agreed by a panel of three scorers.
- 5.1.5 The use of a gauge must be marked on the target by the scorer.
- 5.1.6 **Inward Gauging.** For inward gauging the value of a shot will be decided by the edge of the shot hole nearest the centre of the target as determined by the use of the gauge. When the flange of the gauge touches the line, the higher value will be credited. Shots outside the scoring rings have no value.
- 5.1.7 **Outward Gauging.** For outward gauging the value of the shot will be decided by the edge of the shot hole furthest from the centre of the target as determined by the use of the gauge. When the flange of the gauge touches the outside of the line, the lower value will be credited (See Figure 4 (appendix B)). Shots which touch the outside of the lowest value scoring ring have no value except for short-range prone targets which are scored according to 5.1.7.1.
- 5.1.7.1 On short-range prone targets only, where the last printed scoring ring is a 6, a shot outside the 6-ring but wholly contained within the aiming mark shall be scored as 5, and a shot touching the aiming mark shall be scored as 4. Shots wholly outside the aiming mark shall have no score value.
- 5.1.8 **Oversize Gauges.** Gauges with oversize flanges, which determine the score by reference to another scoring ring on the same target, may be used (see appendix B).
- 5.1.9 When the inner 10 (X) ring on targets has to be scored for special competitions the value of a shot in or touching that ring will count 10-1X.
- 5.1.10 A hole made by a ricochet does not count as a hit and will be scored as a miss.

5.2 SCORING – RIFLE POSTAL

- 5.2.1 In any competition, individual or team, where a shooter places more than the specified number of shots on any target on his own card or cards, but not more than the number specified in the competition, full credit shall be given for every shot which can distinctly be seen, subject to a penalty of one point for each shot in excess on any particular target.
- 5.2.2 Where a card has on it fewer than the required number of shots, any shot deficient shall be deemed a miss unless the witness can certify of his own knowledge that a shot was fired in error on the target of another shooter. The shot on the other shooter's target may be scored provided:
 - 5.2.2.1 the witness provides a written explanation of the occurrence and a photocopy of the card containing the cross-shot; and either
 - 5.2.2.2 the witness certifies that a particular shot was the cross-shot, in which case that shot shall be scored on the basis of its apparent value as seen in the photocopy, subject to a penalty of two points; or
 - 5.2.2.3 the witness certifies that a cross-shot was fired, but cannot identify the particular shot, in which case the shot of lowest value on the relevant target shall be scored, subject to a penalty of two points.
 - 5.2.2.4 Evidence in the form of a backing card from behind the card receiving the cross-shot will also be accepted in determining the cross-shot.
- 5.2.3 Subject to Rule 5.2.1, where a card has on it more than the required number of shots, the scorer shall score the appropriate number of shots with the lowest value. A penalty of one point will be deducted for each excess shot. Where, however, the procedure in Rule 5.2.2 is followed, the shot credited to the other shooter shall be ignored.
- 5.2.4 Own Start Competitions
 - 5.2.4.1 A penalty of two points will be applied for each non-scoring shot.
 - 5.2.4.2 The start will be added to the gun score to determine the result. If the total exceeds 100, two points will be deducted for each point in excess of 100.
 - 5.2.4.3 A penalty incurred under Rules 5.2.1 to 5.2.4.1 will be applied after the card has been scored in accordance with Rule 5.2.4.2.
 - 5.2.4.4 The team score will be the aggregate of the team members' individual scores.
- 5.2.5 Benchrest Rifle

Targets will be scored using a 5.6 mm (.22 in) gauge regardless of the calibre of the rifle used to shoot the competition. The oversize gauge appropriate to the target and distance may be used as an alternative.

5.3 SCORING – RIFLE MEETINGS

- 5.3.1 In competitions using backing cards:
 - 5.3.1.1 When a card, individual or team, has more shot holes than the number specified in the competition, the backing card shall determine which shot or shots shall be annulled or transferred to another competitor.

- 5.3.1.2 A shooter firing in error on the competition card of another competitor shall be credited the full value of the shot or shots less a penalty of two points for each shot so fired. This Rule does not apply to skirmisher cards - see Rule 5.3.4.2.
- 5.3.1.3 A shooter firing more than the required number of shots on his competition card shall be credited with the score of the appropriate number of shots having the lowest value less a penalty of one point for each shot in excess.
- 5.3.1.4 A shooter firing on the card of another competitor and then firing at his own card more than the balance of shots allowed shall be credited with the score of the appropriate number of shots having the lowest value less a penalty of one point for each shot fired in excess of the required number and an additional penalty of two points for every shot fired on the card of the other competitor.
- 5.3.2 In competitions not using backing cards:
 - 5.3.2.1 If a card has more shot holes than the number specified in the competition, the scorer shall score the appropriate number of hits for that competition having the lowest value, subject to Rule 5.3.2.2.
 - 5.3.2.2 When a card has on it fewer shot holes than the number specified in the competition, the shots deficient shall be deemed misses, unless the Range Officer and/or a witness certifies that the shot or shots have been placed in error on the card of another competitor. In which case the shooter who has fired on the wrong cards shall receive a hit or hits of the lowest value from the target with the extra shot or shots upon it, (subject to Rule 5.3.2.3) less two points penalty for each shot he placed on the wrong card. The shooter whose card has on it the extra shot or shots shall receive the full value of the remaining shots on his card.
 - 5.3.2.3 Where the Range Officer and/or witness can certify without doubt that a particular shot or shots were fired by another shooter, the shooter who has fired on the wrong card will receive the full value of his own shot or shots less two penalty points for each of those shots.
- 5.3.3 In any competition, individual or team, a shooter who fires more than the specified number of shots at any target on his own card, but not more on the card than the number specified in the competition, full credit shall be given for every shot which can distinctly be seen, subject to a penalty of one point for each shot in excess on any particular target.

5.3.4 **Time-Limit Shooting**

- 5.3.4.1 In individual and team competitions the following penalties apply.
 - 5.3.4.1.1 The full possible value of one shot for loading before the signal 'Commence' is given.
 - 5.3.4.1.2 The full possible value of any shots fired after the signal 'Cease' is given.
- 5.3.4.2 In skirmisher competitions, a hit on any one of the eight oval targets scores one point. Not more than two hits are allowed on any one oval target unless there are at least two hits in each of the target areas on the card and then no more than three hits and so on. Cross-shots are recorded as misses and no penalty points shall be deducted.

5.4 **SCORING - PISTOL**

- 5.4.1 Every shot which does not hit the correct target (within the scoring rings) shall be recorded as a miss. Cross-shots are recorded as misses.
- 5.4.2 If a shooter receives a confirmed cross-shot, and it is impossible to determine which shot or shots are his, he must be credited with the highest value undetermined shot.
- 5.4.3 If there are more hits on the shooter's target than provided for in the competition, and if it is impossible to establish that another shooter fired the excess shot or shots, the hits of the highest value shall be disallowed (see also Rule 5.4.4).
- 5.4.4 If a shooter fires more shots on the target than is permitted in the competition, the excess shot or shots with the highest value will be disallowed. In addition, the shooter will be penalised by the deduction of one point per extra shot fired, from the total value of the remaining shots on the target.
- 5.4.5 If any shots are fired before the command 'Fire' or after the command 'Cease fire' or after the cessation of the signal, the shots of the highest value, equal to the number fired in error will be scored as misses.

5.5 **TIES - RIFLE**

- 5.5.1 Money prizes shall be equally divided between those tying, including where the tie is broken to determine the award of challenge trophies or prizes in kind.
- 5.5.2 Ties for challenge trophies and prizes in kind shall be decided in accordance with Rules 5.5.3 to 5.5.5. If following the application of all the relevant rules a tie remains unbroken:
 - 5.5.2.1 in a knock-out competition, including an Own Start knock-out competition:
 - 5.5.2.1.1 if the tie is in the final, both teams will fire a tie shoot over the full course of fire; or
 - 5.5.2.1.2 if the tie is in a round prior to the final, both teams will fire a tie shoot concurrently with the succeeding round.

5.5.2.2 in all other competitions, challenge trophies shall be held jointly and prizes in kind shall be awarded at the level applicable to the tied position.

5.5.3 **League Competitions**

5.5.3.1 In the event of teams scoring the same number of match points for either of the two leading positions at the conclusion of the competition, the tie will be decided in favour of the team:

5.5.3.1.1 with the higher aggregate gun score during the whole competition;

5.5.3.1.2 with the higher number of match points in the matches between the tied teams;

5.5.3.1.3 with the higher aggregate gun score in the matches between the tied teams.

5.5.4 **Own Start Competitions**

5.5.4.1 Following the Table of Precedence (Rule 5.5.5.3) if necessary, a tie will be decided in favour of the team:

5.5.4.1.1 with the higher number of 100s, 99s, 98s, etc., after addition of the start;

5.5.4.1.2 with the higher total start;

5.5.4.1.3 with the higher total gun score, before addition of the start.

5.5.5 **All Other Competitions**

5.5.5.1 In individual competitions where two or more shooters achieve a perfect score, the tie shall not be broken.

5.5.5.2 If the competition is scored in accordance with ISSF scoring rules, ISSF rules on tie-breaking shall apply.

5.5.5.3 In other competitions the tied scores will be considered in relation to the categories in the following Table of Precedence:

a.	100 yards	Deliberate
b.	50 metres and 50 yards	Deliberate
c.	50 metres	Deliberate
d.	50 yards	Time-limit
e.	50 yards	Deliberate
f.	25 metres, 25, 20 and 15 yards	Skirmisher
g.	25 metres, 25, 20 and 15 yards	Time-limit
h.	25 metres, 25, 20 and 15 yards	Deliberate.

5.5.5.3.1 Rule 5.5.5.3.b shall apply only where the two distances may be shot as alternatives in the competition.

5.5.5.3.2 In Rule 5.5.5.3.f if the number of scoring hits are equal, the tie shall be decided in favour of the shooter or team which has fired the least number of non-scoring shots.

5.5.5.3.3 In Time-limit categories, if cards are fired to more than one time-limit, the tie breaking arrangements shall be applied first to the cards fired to the shortest time.

5.5.5.4 Where a competition involves shooting at two or more of the categories, the tie will be decided in favour of the team with the higher score on the card or cards of highest precedence and, if still a tie, on the cards of next highest precedence, and so on.

5.5.5.5 Where a competition involves shooting at only one of the categories, or shooting at two or more categories but has not been broken by application of Rule 5.5.5.3, the tie will be decided by the application, in the listed order, of such of the steps below as are applicable to the circumstances of the competition.

5.5.5.5.1 At meetings only where the three card system is used, by count-back in 20 shot strings.

5.5.5.5.2 In postal competitions only shot as the aggregate of several separate stages or courses of fire, by the higher score in the latest stage or course, and if still a tie by the application of Rules 5.5.5.5.3 to 5.5.5.5.5 to the latest stage. If still a tie, the same procedure is applied to the penultimate stage, and so on.

5.5.5.5.3 Count-back in 10 shot strings, taking the target or targets printed at the bottom of the card first where the three card system is used.

5.5.5.5.4 The highest number of 100s, 99s, 98s, etc., taking horizontally adjacent targets as a 10 shot string on the three card system at 50 metres and 50 yards.

5.5.5.5.5 The highest number of 10s, 9s, 8s, etc.

5.5.5.5.6 At National Meeting Only: Where there is an unbreakable tie having used all other Tie Breaking rules and the decision decides a presentation of a Trophy, graduated gauges will be used to decide the winner.

5.5.5.6 Provisions in Rule 5.5.5.5 involving count-back shall only apply where:

5.5.5.6.1 the cards have been shot in a known order; or

5.5.5.6.2 the cards have an identifying number attached to them, by a sticker or other means, regardless of whether the cards were actually shot in numerical order.

5.5.6 Unless otherwise stated in the competition conditions, ties on the minimum score prescribed to advance from one stage to the next shall not be separated, but all such scores will advance into the next stage.

5.6 TIES - PISTOL

5.6.1 Rules for deciding ties shall be applied in the order specified below.

5.6.2 For money prizes: By equal division

5.6.3 For prizes in kind:

5.6.3.1 Single range.

5.6.3.1.1 By the highest score of the last 10-shot series working backward by 10-shot series until the tie is broken.

5.6.3.1.2 By the highest number of 10, 9, 8 etc.

5.6.3.1.3 By examining the last target for each shooter involved and determining which has a shot located farthest from the centre and he shall be deemed the loser.

5.6.3.2 Multiple range. By the range total or aggregate total in order of distance, commencing with the longest. If still a tie by following the procedures specified in Rule 5.6.3.1, starting with the longest range.

5.6.4 **Unlimited entry matches.** By equal division for cash prizes. By drawing of lots for prizes in kind or medals in matches where the tie cannot be broken applying the provisions of Rule 5.6.3.

5.6.5 **Team competitions.** By totalling the score of the final 10 shots of each shooter, then proceeding to the previous 10 shots and so on until the tie is broken.

5.6.6 **Individual championships.** By a tie shoot. The shooters will be allowed a further 10 sighting shots and then 10 shots to count. If the tie is still not broken, then a 'sudden death' shoot off will decide the tie (i.e. the shooter who scores the higher number of points after a single shot by shot tie decider shall be the winner).

6 MEETINGS

6.1 GENERAL

6.1.1 All shooting shall be under the control of the Chief Range Officer and his assistants.

6.1.2 The administration of meetings shall be under the control of a Range Committee and the Meeting Referees.

6.1.3 The Range Committee shall be responsible for the general administration of the meeting except in matters appertaining to the rules and conditions of entry. Their decision on any appeal shall be final. The Committee shall be selected from members of the Shooting Council of the NSRA and shall consist of not less than three and not more than nine, of whom one shall be elected chairman. Other persons who are present may be invited to serve on the Range Committee.

6.1.4 The Meeting Referees shall adjudicate on all matters appertaining to the rules and conditions of entry. Their decision on any appeal shall be final for the period of the meeting. The technical committee responsible for the meeting shall appoint at least three referees normally from their own committee. The referees shall appoint a chairman and shall meet as required.

6.1.5 The names of the Range Committee and the Referees shall be posted on the Secretary's notice-board at the commencement of the meeting.

6.1.6 Any order exhibited on the notice-board by the authority of the Range Committee and/or the Meeting Referees shall have the same force and effect as these regulations for the duration of the meeting. Such notice-board shall be placed in a conspicuous position.

6.1.7 Where special conditions which conflict with these rules are printed in the programme, such programme conditions shall prevail.

6.1.8 A shooter may be suspended from shooting and ordered from the firing point by a Range Officer for dangerous conduct or for contravening any order, rule or condition of the competitions, and the matter shall be reported by the Range Officer and dealt with by the Meeting Referees.

6.1.9 The Meeting Referees shall give a shooter who is alleged to have infringed any rules and regulations, any order under Rule 6.1.6 or condition under Rule 6.1.7, or who is alleged to have been guilty of any dishonest, discreditable, or dangerous conduct, an opportunity to speak and to call witnesses on his behalf. Every endeavour will be made to notify such a shooter when matters concerning him are to be discussed.

6.1.10 In the event of a person not appearing before the Meeting Referees, he shall be notified of any decision made in his absence.

6.1.11 Any shooter infringing any rule or regulation, any order under Rule 6.1.6 or any condition under Rule 6.1.7 or who is proved guilty of any dishonest, discreditable or dangerous conduct at a meeting, renders himself liable to be disqualified for the whole of the meeting and to be suspended from taking part in any further meetings

and competitions. Any shooter conniving at such conduct on the part of another shooter, or failing to report immediately to the Range Officer or to the Secretary any breach of the regulations by another shooter, which is known to or suspected by him, renders himself liable to similar penalties.

6.1.12 Disqualification of a shooter does not necessarily involve the loss of scores made by him in a team shoot prior to the offence having been committed.

6.1.13 A person who is aggrieved by any decision of the Meeting Referees may appeal to the Board of Management in writing within one month of the date of the close of the meeting.

6.2 CONCURRENT SHOOTING

The term 'concurrent shooting' means that a series of shots is used to count for more than one competition.

6.3 ENTRIES

6.3.1 Entries for all squadded and single entry events will close on the advertised date. Entries must be made on the prescribed form and must be accompanied by the entrance fees. No entry will be held to have been made until the full entrance fee has been received.

6.3.2 No competitor may enter under an assumed name and any particulars required by the conditions must be correctly stated on the entry form. The penalty for wilful falsification of entry will be determined by the Referees Committee.

6.3.3 The NSRA may refuse any entry without assigning a reason.

6.3.4 Entries are not transferable.

6.3.5 Return of entry fees, less the registration fee, will be made in the event of competitors being unable to draw their stickers and is subject to evidence of extenuating circumstances being submitted within one calendar month after the close of the meeting. If entries are withdrawn before the start of the meeting, fees will be returned less the registration fee without submission of such evidence.

6.4 ELIGIBILITY

6.4.1 Unless otherwise specified in the special conditions of any competition:

6.4.1.1 Rule 3.1.1.1 does not apply to individual competitions.

6.4.1.2 In club team competitions:

6.4.1.2.1 Rule 3.1.1.2 does not apply.

6.4.1.2.2 A club may enter any number of teams and take any number of prizes.

6.4.1.2.3 A competitor may not shoot for more than one club or team in the same competition, but may shoot for different clubs in different competitions at the same meeting.

6.4.1.2.4 A club team member must have shot at least six matches for that club on its home range during the preceding twelve months.

6.4.1.3 In county team competitions, a county may not enter more than one team in any competition.

6.4.2 The names of the members of a team must be entered on the prescribed form and submitted to the meeting organiser before any member of the team commences shooting.

6.5 INDIVIDUAL CLASSIFICATION

The method of classification will be published in the programme of the meeting.

6.6 SWEEPSTAKE COMPETITIONS

In a sweepstake competition, a competitor may enter any number of times, provided range space is available to him, but in the absence of any condition to the contrary he may take one prize only in that competition and his best score shall be counted.

6.7 SINGLE ENTRY COMPETITION STICKERS AND CARDS

6.7.1 Competitors will usually be provided with stickers for each competition for which entry is made.

6.7.1.1 For paper targets, it is the responsibility of the shooter to ensure that the stickers are attached to the appropriate cards prior to shooting. The shooter is also responsible for writing the firing point number and the detail number on each card and each backing card.

6.7.1.2 For electronic targets, the stickers, and any start card if issued, must be dealt with by the shooter in accordance with the instructions in the meeting programme and/or as directed by the range staff.

6.7.2 Two single entry stickers in the same aggregate or in the same competition must not be placed on the same card.

6.7.3 No score will be allowed for any sticker which has been placed on a card in error except that:

- 6.7.3.1 if two or more stickers in the same aggregate, or in the same competition, have been affixed, then the score of that card will be allocated to the competition bearing the lower competition event number or to the card bearing the lower card number, as applicable;
- 6.7.3.2 if the sticker is for another distance included in the competition, the score shall be allowed provided that the card for the other distance has not yet been shot.
- 6.7.4 Lost single entry stickers and stickers erroneously placed on a card will be replaced with fresh stickers upon payment of a fee.

6.8 FIRING POINT ALLOCATION

- 6.8.1 In all squadded shoulder-to-shoulder team matches the procedure for allotting the positions of the teams shall be by draw.
- 6.8.2 Notice of the time and place of the draw will be published. The draw shall be made by the Chief Statistical Officer. Captains of teams concerned are entitled to be present.
- 6.8.3 The notice of squadding in individual competitions shall be posted on the notice-board at least one hour before shooting commences. This rule will not apply if individual notice of squadding has previously been given.
- 6.8.4 Unless otherwise stated in the programme no shooter has the right to any particular place for more than three consecutive details, if, after that number of details, the place is wanted by another shooter.

6.9 CONDUCT OF SHOOTING

- 6.9.1 In the programme of a meeting, the opening and closing hours of each day's shooting and of each squadded competition shall be stated. No shooting on the range shall take place on any day of a meeting except between the opening and closing hours unless sanctioned by the Range Committee. Shooting must not finish before the advertised closing hour.
- 6.9.2 Range Officers shall wear an armband, badge or other readily visible identification.
- 6.9.3 Each shooter must wear the distinguishing number issued to him so that it may be readily seen by the Range Officer whilst the competitor is in the firing position.
- 6.9.4 Shooters must conform to the orders of the Range Officer and no shooter shall be penalised in any way through obeying any order given by a Range Officer.
- 6.9.5 The firing point positions will be numbered to correspond with the target numbers and shooters will fire over those numbers. Upon their names or numbers being called, competitors must take their place on the firing point, but must not load or commence firing until permitted by the Chief Range Officer.
- 6.9.6 Only shooters actually firing and officials are allowed on the firing point except in those team competitions where coaching is permitted.
- 6.9.7 In individual competitions, shooters may spot for themselves. Spotting assistance by others is not permitted.
- 6.9.8 In team competitions which require the whole of a team to shoot together, each team member may spot for himself. No individual competition shall be shot concurrently. If provided for in the rules of the competition, coaches must be nominated to the Range Officer, in advance. Coaches are not permitted to load, adjust sights or to touch the rifle or pistol in any way.
- 6.9.9 At the end of a detail fired on electronic targets, the shooter must sign the record to confirm his acceptance of the score.
- 6.9.10 Competitors should see that their scores have been correctly posted. No claims for missing or incorrect scores will be entertained after a meeting has finished.

6.10 PROTESTS

All protests by shooters must be made in writing to the Secretary. Anyone making a protest must attend the inquiry held by the Range Committee or Meeting Referees, if called upon.

6.11 CHALLENGES

- 6.11.1 Any recorded score may be challenged by the shooter or the team captain within a reasonable time of firing (subject to any specified time-limit published in the programme of the meeting), except in the case of:
 - 6.11.1.1 a competition on paper targets where such challenges are precluded in the competition conditions;
 - 6.11.1.2 a competition on electronic targets, where the value of disputed shots must be determined at the time of shooting in accordance with ISSF Rules.
- 6.11.2 In individual competitions, the shooter must pay a deposit for each card challenged.
- 6.11.3 In team competitions, the team captain or other official must pay a deposit for each card challenged.
- 6.11.4 Deposits will be returned for challenges upheld.

- 6.11.5 Any shooter or team captain who is dissatisfied with the decision on a challenge may require the challenge to be referred to the Meeting Referees, whose decision shall be final.

7 POSTAL COMPETITIONS

7.1 ENTRIES

- 7.1.1 Entries for individual and team competitions must be made upon the prescribed form, accompanied by the entrance fee, so as to arrive on or before the day appointed. No entry will be held to have been made until the full entrance fees have been received.
- 7.1.2 Cards and stickers issued for NSRA postal competitions must be checked on receipt and any shortage or discrepancy reported within 14 days of receipt. Only such issues will be accepted for competition and no replacements, official or unofficial, will be permitted for subsequent loss or damage except on the recommendation of the Referees Committee.

7.1.3 Averages

- 7.1.3.1 For individual and team competitions where entrants are required to submit an average, it shall be calculated as specified in the conditions of entry for the competition. In team competitions the team average shall be the total of the individual averages of the registered team members.
- 7.1.3.2 If an average cannot be calculated in accordance with the competition conditions, it shall be calculated using scores obtained:
- 7.1.3.2.1 in competitions organised externally to the shooter's club; or in the absence of such scores
 - 7.1.3.2.2 in competitions organised by the shooter's club; or in the absence of such scores
 - 7.1.3.2.3 from properly witnessed cards shot specifically for the purpose of obtaining an average.
- 7.1.3.3 When an average is provided under Rule 7.1.3.2 an explanation of how the average was calculated and the source of the scores used in the calculation must be declared with the entry form.
- 7.1.3.4 Averages must be quoted exactly to one decimal place and must not be rounded to a whole number.
- 7.1.3.5 All scores used in calculating an entry average must have been confirmed by the appointed scorer. Scores which are visual estimates made by the shooter or a club official must not be used.
- 7.1.3.6 The NSRA reserves the right to:
- 7.1.3.6.1 amend the entry average of any competitor if there is good reason to believe that the average has not been calculated in accordance with Rules 7.1.3.1 to 7.1.3.5;
 - 7.1.3.6.2 amend the composition of league teams where necessary to ensure compliance with Rule 7.9.3;
 - 7.1.3.6.3 request full details and supporting evidence for any average, at any time up to the last date for challenges to scores in the last stage or round of any competition. Evidence required will include the official results showing scores used under Rule 7.1.3.2.1, and the actual cards shot under Rule 7.1.3.2.2 and 7.1.3.2.3;
 - 7.1.3.6.4 take disciplinary action against any person submitting or confirming an entry average if:
 - 7.1.3.6.4.1 the average is significantly different from a shooter's true or correctly-calculated average; or
 - 7.1.3.6.4.2 the average is significantly below the shooter's actual level of performance in the competition and no satisfactory explanation is provided when requested;
 - 7.1.3.6.4.3 evidence supporting the average, as referred to in Rule 7.1.3.6.3 is not provided when requested.

- 7.1.4 The Association may refuse any entry without assigning a reason.

- 7.1.5 Entries are not transferable, nor are fees refundable.

7.2 INDIVIDUAL COMPETITIONS

All cards for a competition or a stage of a competition must be shot on the same range and on a single day.

7.3 TEAM COMPETITIONS

- 7.3.1 Unless otherwise specified, all the cards of each team match must be shot on the same range. Clubs having both indoor and outdoor ranges on the same site will be regarded for the purpose of this rule as having a single range and a shooter may shoot on either or both.
- 7.3.2 A team unable to shoot during the period designated for the match may apply to the NSRA for permission to shoot earlier, stating the reasons for the request. The Referees Committee will decide whether such application be granted.

- 7.3.3 Team members are not permitted to fire after the close of the match period unless an extension is approved by the Referees Committee. An application for an extension must be made within one working day of the close of the match period.
- 7.3.4 By mutual agreement, matches may be shot shoulder-to-shoulder on any range and at any time within the match period.
- 7.3.5 Stickers for competitions are specific to a particular competition, including where appropriate the division of a league, the round of a league or knock-out competition, and the team (A, B, C etc) where the club or county has more than one team in a competition. These details must not be changed in the event of a substitute being used for a registered shooter. Instead the name of the substitute shooter shall be added to the card and the name of the registered shooter may be struck through, but must remain readable so that the correct application of any relevant promotion or demotion rules may be checked.

7.4 CONDUCT OF SHOOTING

- 7.4.1 A shooter may spot for himself. Coaching is also permitted. A coach is not permitted to load, adjust sights or touch the shooter's equipment in any way.
- 7.4.2 In all individual and team events shot under postal conditions the shooter must add his signature to each card he has shot, to certify that he has complied with all the rules, unless otherwise authorised by the conditions of the competition.
- 7.4.3 In deliberate competitions there is no time-limit for completing a card or series of shots, provided the total time allowed for the competition is not exceeded.
- 7.4.4 A competition for which a suitable program is available on an electronic target system may be shot on that system or on paper targets, as the shooter prefers, unless it is a time-limit rifle or an own start competition or the use of electronic targets is prohibited in the conditions of the competition.
- 7.4.5 Where only part of a course of fire is available on an electronic target system, a competition may be shot partly on electronic and partly on paper targets.
- 7.4.6 In team competitions the team members are not required to all shoot the competition on the same type of target.

7.4.7 COMPETITIONS SHOT ON PAPER TARGETS

- 7.4.7.1 A shooter may have more than one match card and a sighting or practice card facing him on the butts at the same time.
- 7.4.7.2 The gauging of and interfering with shot holes is prohibited.
- 7.4.7.3 Any card received in a damaged or mutilated condition without a satisfactory explanation will be disqualified. A card irreparably damaged before shooting by the intended competitor should be affixed back-to-back with a new card and mounted so that shots pass through both cards. The new card should be named, signed and witnessed in accordance with Rule 7.6 and the whole sent to the scorer, the witness enclosing an explanation of the circumstances. The sticker(s) must not be removed from the damaged card. Where there is evidence of a sticker having been previously attached to another card, the tendered card will be deemed damaged.
- 7.4.7.4 On cards that have trim-lines the card may be cut down so long as the whole trim-line remains intact and clearly visible. If any part of the trim-line is missing then the card will be disqualified. If an error is made in trimming it is acceptable to submit the card so long as all the trimmed parts are included and attached to the card.

7.4.8 COMPETITIONS SHOT ON ELECTRONIC TARGETS

- 7.4.8.1 A shooter must use only one electronic target for all sighting and competition shots, but may change to another target on a change of shooting distance or position, and as necessary in the event of a target breakdown.
- 7.4.8.2 The target control system must be set to produce the total of each series of shots and the total for the course of fire on the basis of integer scoring unless scores based on decimal scoring are required by the competition conditions.
- 7.4.8.3 Sighters must be fired with the target control system in 'sighting' mode and competition shots in 'qualification' mode. Where the number of competition shots to be fired is different from the available programmed qualification courses of fire, a program for a larger number of competition shots shall be used.
- 7.4.8.4 No sighters are permitted after the first competition shot has been fired, unless the electronic target system is able to produce a record where the extra sighters are not shown and the competition shot series and totals are shown in the normal format without manipulation of the program being required.
- 7.4.8.5 The shooter will sign the record on completion of the shoot in accordance with Rule 7.4.2. The signature must be close to the sticker and the printed name of the shooter.
- 7.4.8.6 The value of a shot may not be challenged. The value of all shots on the record shall be final.
- 7.4.8.7 In the event of a target breakdown:

- 7.4.8.7.1 the shooter may move to another firing point and may have additional sighters. If the target breakdown is irreparable and there is no alternative available to complete the shoot within the specified time, the remaining competition shots may be fired on paper targets.
- 7.4.8.7.2 the circumstances of the breakdown shall be reported to the scorer in writing by the witness.
- 7.4.8.8 If a shooter wishes to fire two or more competitions consecutively, the target control system must be re-set at the end of each competition course of fire.
- 7.4.8.9 The unauthorised amendment of scores prior to or after the printing of the record is prohibited.
- 7.4.8.10 Any record received in a damaged or mutilated condition without a satisfactory explanation will be disqualified. Where there is evidence of a sticker having been previously attached to another record, the tendered record will be deemed damaged.

7.4.9 **STICKERS**

- 7.4.9.1 Stickers will be issued on the basis of one sticker per match card. For rifle this will normally be ten competition shots per card. For pistol, air rifle and air pistol competitions where the conditions require fewer than ten competition shots per card, the number of stickers issued will be increased accordingly. In air rifle competitions, if a shooter chooses to fire on cards with a single aiming mark, the cards must be serially numbered by the manufacturer, must be shot in consecutive serial number order and a sticker must be placed on every fifth card, starting with the card for the first competition shot.
- 7.4.9.2 Where the stickers are numbered, they shall be used in sticker number order.

7.4.10 **STICKERS USED ON PAPER TARGETS**

- 7.4.10.1 Before cards are placed upon the butts:
 - 7.4.10.1.1 the appropriate stickers must be affixed to the cards; and
 - 7.4.10.1.2 the shooter must be correctly named on each card. The name must be written in block capitals or added by use of a rubber stamp or similar device, but if the stickers are issued with the shooter's name already printed thereon, this shall be deemed sufficient for the purposes of this rule.
- 7.4.10.2 Where a shooter uses the rifle three card system of 20 shots per card, two stickers must be attached to each card.

7.4.11 **STICKERS USED WITH ELECTRONIC TARGETS**

- 7.4.11.1 Where the electronic target system prints the score of each shot on the record strip immediately after it is fired:
 - 7.4.11.1.1 Sticker No. 1 (if numbered) must be attached to the strip in a position before the start of the competition shots. This may be done before, during or at the completion of the sighters, but the sticker must be in place before the first competition shot is fired.
 - 7.4.11.1.2 Sticker No. 2 must be attached to the strip in a position immediately following the final shot and final series total. All unused stickers must be attached to the back of the strip.
 - 7.4.11.1.3 After the signatures of the shooter and witness have been added, the whole of the unbroken strip between the relevant stickers must be returned to the scorer.
 - 7.4.11.1.4 In the event of a target breakdown, sticker No. 2 shall be attached to the original strip in a position immediately after the printed score of the last shot fired, whether sighter or competition shot. Sticker No. 3 shall be attached to the strip of the replacement firing point before the additional sighters. Sticker No. 4 shall be attached to the strip following the final competition shot. If no unused stickers from the competition set are available to authenticate the second strip, the witness shall write the relevant details on the strip.
- 7.4.11.2 Where the electronic target system prints the score of all the shots on a score sheet after the final shot has been fired:
 - 7.4.11.2.1 The stickers must be handed to the range officer or the witness before the first competition shot is fired.
 - 7.4.11.2.2 After the shoot has been completed, the range officer or the witness will attach sticker No. 1 to a sheet, which he will place in the printer.
 - 7.4.11.2.3 The sheet shall be printed in the presence of the witness. After the signatures of the shooter and witness have been added, the sheet must be returned to the scorer, together with all unused stickers attached to the back of the sheet.
 - 7.4.11.2.4 As an alternative to Rules 7.4.11.2.1 and 7.4.11.2.2, the shooter may be given sheet/s to which the relevant sticker/s have already been attached by a club official. In these circumstances the relevant sheet must be handed to the range officer or the witness before the first competition shot is fired, and the remaining procedures must be completed as appropriate.
 - 7.4.11.2.5 In the event of a target breakdown, the shoot may continue, with additional sighters as necessary, on the replacement target.

- 7.4.11.2.5.1 If the scores from the two targets can be printed out on the original sheet as if there had been no breakdown and transfer, this shall be done.
 - 7.4.11.2.5.2 If the scores from the two targets cannot be printed out on the original sheet as if there had been no breakdown and transfer, sticker No. 2 shall be affixed to another sheet, the scores from each target will be printed on the relevant sheet and both sheets will be signed and witnessed.
 - 7.4.11.2.5.3 If no unused stickers from the competition set are available to authenticate the second sheet, the witness shall write the relevant details on the sheet.
- 7.4.11.3 The owner of electronic target systems may, if so desired, customise the bottom area of blank sheets for use as score sheets with the club's name and spaces for the addition of a sticker, the shooter's name, the required signatures and the date of shooting. A sample of such a customised sheet must be submitted to the NSRA for approval.

7.5 STATUS AND DUTIES OF WITNESSES FOR INDIVIDUAL AND CLUB TEAM SHOOTS

- 7.5.1 Every shoot must be witnessed.
- 7.5.2 The following are qualified to act as witness in team and individual competitions:
 - 7.5.2.1 A member of the NSRA Shooting Council.
 - 7.5.2.2 A holder of an ISSF judge's licence.
 - 7.5.2.3 A holder of a national judge's licence.
 - 7.5.2.4 A person specially appointed by the NSRA.
 - 7.5.2.5 The secretary, captain or a member of the committee of any affiliated club, and other nominees, who shall be registered annually by the club with the NSRA.
 - 7.5.2.6 An experienced person specially appointed by the opposing team.
 - 7.5.2.7 A holder of an NSRA Range Conducting Officer certificate.
 - 7.5.2.8 A holder of an NSRA Youth Proficiency Scheme Tutor diploma.
- 7.5.3 If the appointed witness is not present at the time fixed for the commencement of the shoot, the person in charge of the team is empowered to appoint any qualified person as witness. A written explanation of the circumstances will be provided by the person in charge of the team and will be sent with the shot cards to the scorer.

7.6 DUTIES OF WITNESS

- 7.6.1 The witness shall:
 - 7.6.1.1 be debarred from witnessing his own shoot in any team or individual competition;
 - 7.6.1.2 be present during the whole of the shoot, for which he is acting as a witness.
- 7.6.2 The witness shall, before shooting commences:
 - 7.6.2.1 be conversant with the rules and regulations and any special regulations relating to the competition;
 - 7.6.2.2 satisfy himself that the required procedures, whether the competition is shot on paper or electronic targets, have been complied with in all respects;
 - 7.6.2.3 satisfy himself that the range is of the required length. A measure must be provided for the use of a witness in measuring the range.
- 7.6.3 The witness shall without delay, after shooting is completed:
 - 7.6.3.1 check that the shooter has signed each card and/or record;
 - 7.6.3.2 sign and date each card and/or record with the date of shooting, his signature to be in a position adjacent to the signature of the shooter. A computer-generated date printed on a record shall be not be valid in fulfilling the requirements of this rule. A witness's signature and date on a witness certificate issued by the NSRA, instead of on the cards and/or records shall be deemed sufficient if:
 - 7.6.3.2.1 the certificate has been issued by the NSRA for that team or individual in that competition; or
 - 7.6.3.2.2 the competitor is shooting a set of six or more cards.
 - 7.6.3.3 provide the scorer with an explanation of any damage to the card or record, and the reasons for using Rule 7.4.7.3 where applicable;
 - 7.6.3.4 bring immediately to the notice of the NSRA in writing any infringement of the rules.
- 7.6.4 The NSRA reserve to themselves the right of appointing a special witness.
- 7.6.5 A witness specially appointed by the NSRA is responsible for the custody of the cards during and after the shoot and to see that they are sealed ready for despatch.

- 7.6.6 The witness shall, on request, be provided with a light on the firing point sufficient to allow him efficiently to carry out his duties.
- 7.6.7 A club finding any difficulty in arranging for a witness may apply to the NSRA and shall if, required, pay reasonable out-of-pocket expenses to the person appointed.

7.7 TEAM KNOCK-OUT COMPETITIONS

- 7.7.1 Competing teams are drawn in pairs, the winning teams being entitled to compete in the following round.
- 7.7.2 Byes will be cleared in an early round.
- 7.7.3 In any round all the cards for a team must be shot on the same range. Unless otherwise provided for by the special conditions of the competition, teams must complete their cards on a single day.
- 7.7.4 The final rounds shall be shot, if possible, shoulder-to-shoulder. Where the venue for such rounds is not determined by the NSRA, it may be on a range mutually agreed by the teams involved. In shoulder-to-shoulder final shoots, both teams must attend at the time arranged and the members of each team must commence shooting when called upon to do so by the official in charge.
- 7.7.5 No person may shoot for more than one club in the same competition.
- 7.7.6 If a club enters more than one team in a competition, a shooter may not be transferred from one team to another after they have shot.
- 7.7.7 Reserves may be included in the second or subsequent rounds, provided they have not shot for any other team in the same competition in the current season.
- 7.7.8 When a team is beaten the shooters who have shot in that team in any round may not shoot again in the competition.

7.8 LEAGUE COMPETITIONS

- 7.8.1 Each team will fire its matches according to the fixture list. It is permissible for team members to fire matches in advance, but each team member must shoot the matches in the order of the round numbers.
- 7.8.2 A 'bye' period is a match period.
- 7.8.3 Unless otherwise provided for in these rules, team members must fire their targets in the same round on the same range (see Rule 7.3.1) and may shoot at any time during the period allowed, but each member of the team must complete his cards within the time specified for the competition.
- 7.8.4 A win will score two match points, a tie will score one match point.

7.9 PERSONNEL OF LEAGUE TEAMS

- 7.9.1 No shooter may shoot for more than one club in the same competition in any one season. A league comprising two or more divisions constitutes one competition.
- 7.9.2 No shooter may shoot for more than one team in the same match period.
- 7.9.3 Where a club enters more than one team, the best available shooters must be placed in the 'A' team, the next best in the 'B' team and so on.
- 7.9.4 Members of all teams must be registered. A shooter must shoot in the team for which he is registered, subject to Rules 7.9.5 to 7.9.7.
- 7.9.5 A team member can only be relegated to a lower team in the same league provided that:
- 7.9.5.1 the average of the scores for the last three shoots in that league prior to relegation is lower than that of the shooter who replaces him;
- 7.9.5.2 the promoted team member's average of his last three shoots in that league does not exceed the registered entry average of the demoted shooter he replaces;
- 7.9.5.3 the promotion and demotion under this rule takes effect no later than Round 6.
- 7.9.6 For the purposes of Rule 7.9.5 the scores comprising the average of the last three shoots shall be the confirmed scores, if the official results have already been issued, or the Team Captain's estimate of the scores, if the official results have not yet been issued.
- 7.9.7 Lower team shooters may shoot for a higher team any number of times without losing their lower team status.
- 7.9.8 A reserve, i.e. an unregistered shooter, may be included in any team. Where the current average of the reserve exceeds the registered average of the shooter being substituted, the score of the team shall be reduced by the difference, rounded to the nearest whole number above, between the reserve's current average and the substituted shooter's registered average. However, this rule does not apply in division 1 of a league, where a reserve with any current average may be used without penalty. Current average shall be interpreted as the average of a shooter's last three recorded scores at the time he first shoots as a substitute in the competition. The current average must be notified to the scorer on the first occasion that the reserve shoots for a particular team and the average must be certified correct by a club official.

7.10 RETURN OF CARDS

- 7.10.1 Cards must be returned to the appointed scorer in accordance with the following:
- 7.10.1.1 In league and knock-out competitions the last day for shooting will be a Monday and the cards must be received by the scorer not later than the appropriate Saturday.
- 7.10.1.1.1 In the case of inter-county league and inter-county knock-out competitions, the cards must be received by the scorer by the Saturday 12 days after the last day for shooting.
- 7.10.1.1.2 In the case of all other league and knock-out competitions, the cards must be received by the scorer by the Saturday five days after the last day for shooting.
- 7.10.1.2 In all other competitions the final date for shooting and the final date for receipt of cards by the scorer will be specified in the competition conditions.
- 7.10.2 Subject to Rule 7.10.4, in the event of cards arriving with the scorer after the date required under Rule 7.10.1 they will not be accepted unless the cover carries a postmark, or a certificate of posting is produced, showing the package to have been posted not later than:
- 7.10.2.1 in the case of inter-county league and inter-county knock-out competitions, eight days after the last day for shooting;
- 7.10.2.2 in the case of all other competitions, the day after the last day for shooting.
- 7.10.3 When shot cards are not received by the appointed scorer, a shooter or team may, on request, be granted a re-shoot provided that a certificate of posting is produced showing the cards to have been posted to the scorer on or before the relevant date in accordance with Rule 7.10.2. The request must be made within 14 days of the publication of the relevant result.
- 7.10.4 In no circumstances will cards be accepted, other than in the case of a re-shoot allowed under Rule 7.10.3, if they arrive:
- 7.10.4.1 in knock-out competitions, after the last date for shooting the next round of that competition;
- 7.10.4.2 in league competitions, 14 days after the issue of results for the last round of that league;
- 7.10.4.3 in all other competitions, after the end of the challenge period for the competition or the stage of the competition.

7.11 PROTESTS, CHALLENGES AND PENALTIES

- 7.11.1 All protests regarding infringements of rules must be made in writing to the Secretary of the NSRA and must arrive within seven days of the alleged offence.
- 7.11.2 A competitor may challenge any of his recorded scores in individual competitions. The captain of a team may challenge any recorded score of any member of his team. A challenge must be made within 21 days of the publication of results unless stated otherwise. A deposit must be forwarded with each challenge, which will be returned if the challenge is upheld. The amount of deposit will be determined annually, by the Shooting Council. The decision of the Referees Committee on any challenge referred to them shall be final.
- 7.11.3 Unless otherwise stated, penalties for infringement of the postal rules will be decided by the Referees Committee.
- 7.11.4 A person who is aggrieved by any decision of the Referees Committee may appeal to the Board of Management in writing within one month of the date of the notification of the decision.

8 RIFLE RULES

8.1 EQUIPMENT - GENERAL

All artifices which may facilitate shooting and which are not mentioned in these rules, and which are contrary to the spirit of the rules and regulations are forbidden. Appointed officials and members of the Range Committee and witnesses have the right to examine a shooter's apparel and equipment at any time. The onus is on the competitor to submit his equipment for inspection by an official or witness appointed for this purpose.

8.2 AMMUNITION

- 8.2.1 All bullets or projectiles must be made wholly of lead or similar soft material.
- 8.2.2 **Small-bore other than lightweight sport.** Rimfire 5.6 mm (.22 in) calibre, Long Rifle.
- 8.2.3 **Lightweight sport rifle.**
- 8.2.3.1 Rimfire 5.6 mm (.22 in) calibre, Short, Long or Long Rifle.
- 8.2.3.2 Airgun projectiles 5.6 mm (.22 in) or less, of any profile.

8.2.4 **10m Air Rifle.** Flat headed projectiles of calibre 4.5 mm (.177 in) .

8.3 RIFLES

8.3.1 Triggers must be adequately guarded. The grip for the right hand must not be constructed in such a way that it rests on the sling, if permitted, the left arm or the ground.

8.3.2 **Small-bore other than lightweight sport.** All rifles chambered for rimfire 5.6 mm (.22 in) Long Rifle cartridges are permitted. Even if the rifle has a magazine, only one cartridge may be loaded.

8.3.3 **Lightweight sport rifle.** All rifles chambered for ammunition as in Rule 8.2.3.1 and air or CO₂ rifles of calibre 5.6 mm (.22 in) or less are permitted, subject to:

8.3.3.1 The overall weight, including sights and all other accessories, shall not exceed 4.5 kg;

8.3.3.2 There is no minimum trigger weight restriction but it is the responsibility of the shooter to make sure that it is safe. The RCO has the authority to rule that a trigger is unsafe if he believes it to be so;

8.3.3.3 When used with a magazine, the rifle shall not be loaded with more than 10 cartridges or projectiles, even though the magazine may be of a larger capacity;

8.3.3.4 The stock may be adjustable for length;

8.3.3.5 The cheekpiece may be adjustable;

8.3.3.6 The fore-end. Adjustments and additions are permissible up to 150 mm from bore centre within the profile of the stock. Simple shaping to aid grip is permissible but this must not be anatomical, i.e. they must not be shaped to closely conform to the contours of the hand;

8.3.3.7 The curvature of any butt plate is such that at maximum depth (from a line drawn between the toe and heel of the plate) is not greater than 20 mm. No butt hooks are permitted;

8.3.3.8 The butt plate may be adjustable vertically in either direction without rotation;

8.3.3.9 Slings are not permitted in any position.

8.3.4 **Air.** Any type of compressed air or CO₂ rifle of calibre 4.5 mm (.177 in).

8.4 RIFLE SIGHTS

8.4.1 The Association recognises the following types:

8.4.1.1 **Open.** Open, V, U or bar with or without wind gauges.

8.4.1.2 **Aperture.** A rearsight, including tube sights, which may if so desired have attached a single lens or system of lenses not containing an aiming point as a substitute for, or in addition to, prescribed spectacles. Plane light absorbing filters may be used.

8.4.1.3 **Telescope.** Any form of telescope.

8.4.1.4 **'Single point'.** Aimpoint, red dot and similar single point, optical sights.

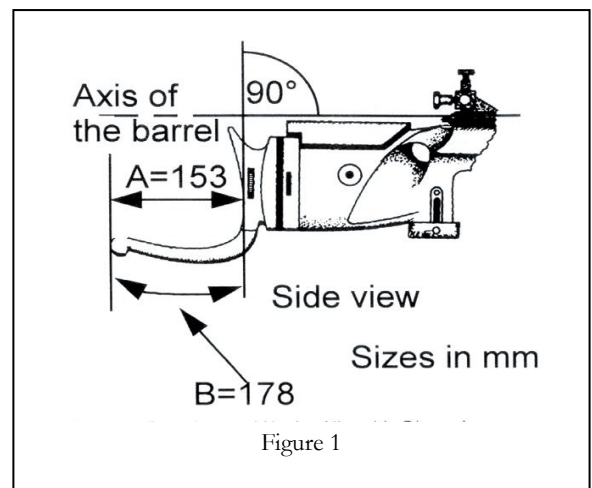
8.4.2 The definition of 'iron sights' is either Rule 8.4.1.1 or 8.4.1.2; the definition of 'optical sights' is either Rule 8.4.1.3 or 8.4.1.4; the definition of 'any sights' is Rule 8.4.1.1, 8.4.1.2, 8.4.1.3 or 8.4.1.4.

8.4.3 A lens may be used attached to, or forming part of the foresight in Rule 8.4.1.1 or 8.4.1.2. The lens may not be used in addition to any other lens or system of lenses except a single prescribed sight-correction lens. The sight-correction lens may be either attached to the rearsight or worn by the shooter.

8.5 RIFLE BUTT

8.5.1 In all positions, the butt of the rifle must be placed against the shoulder on the outside of the outermost garment.

8.5.2 A butt hook may be used that projects not more than 153 mm (see A in Figure 1) past the rear of a line, perpendicular to a line drawn through the axis of the bore of the rifle, which is tangent to the deepest part of the butt plate depression that normally rests against the shoulder. It must have a total outside length around any curve or bend of not more than 178 mm (B).



8.6 SLINGS

8.6.1 A single point or a two point sling may be used.

8.6.1.1 **Single point sling.** The maximum sling width is 40 mm. The sling must be worn only over the upper part of the left arm and from there be connected to the fore-end of the rifle stock. No part of the rifle may touch the sling or any of its attachments except at the sling swivel or handstop.

8.6.1.2 **Two point sling.** A sling of maximum width 50 mm (2 in) is permitted.

8.6.2 Only one hook, loop, button or similar device may be fastened on the outside of the sleeve or shoulder seam on the sling arm to prevent the sling from sliding.

8.7 SHOOTING GLOVES

The glove must be made of flexible material and must not extend more than 50 mm (2 in) above the wrist measured from the centre of the wrist knuckle.

8.8 CLOTHING

8.8.1 The use of strap-on elbow pads is permitted but not in addition to elbow padding which is affixed to the garment. The use of any special devices, means or garments which immobilise the shooter's legs, body or arms is prohibited.

8.8.2 All shooting clothing must be made of flexible material, including all lining, padding and reinforcements.

8.8.3 The shooting coat may have reinforcement patches of moderate size and thickness added only to the outside surfaces on the shoulder and on both sleeves. Reinforcements of such size and thickness as to form support for the shooter or rifle are prohibited. In no case must the elbow reinforcement be nearer to the end of the sleeve than 100 mm (4 in). Concealed padding is prohibited.

8.9 LIGHTWEIGHT SPORT RIFLE

The specialised shooting clothing described in Rules 8.6 and 8.8 is not permitted in lightweight sport rifle with the sole exception of strap-on elbow pads (see Rule 8.8.1). A shooting glove (see Rule 8.7) or an ordinary glove may be used. Conventional street clothing appropriate to the weather conditions must be worn; shoes must not cover the ankle. The range officer may permit boots if the weather conditions require them. A kneeling roll (Rule 8.14.2) is permitted in the kneeling position.

8.10 SHOOTING MATS

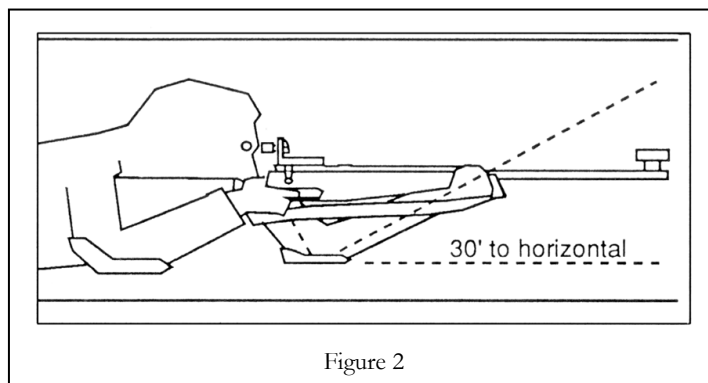
That portion on which the elbow rests must be of uniform thickness not exceeding 50 mm (2 in) uncompressed. Firing point coverings such as waterproof groundsheets or coconut matting are not considered as personal mats but, for the purpose of Rule 8.12, the natural surface of such covering will be regarded as the firing point.

8.11 COMPETITOR'S BODY

In all positions, those portions of the competitor's body in contact with the ground must be entirely behind the front marked edge of the firing point.

8.12 PRONE

The shooter may lie on the bare surface of the firing point or on the shooting mat. He may also use the mat by resting his elbows on it. The body is extended on the firing point with the head toward the target. The rifle must be supported by both hands and one shoulder only. While aiming, the cheek may be placed against the rifle stock. The rifle may be supported by the sling but the fore-end behind the left hand or any part of the rifle must not rest on the sling or its attachments. The rifle must not touch, or rest against, any other point or object. Both forearms and sleeves of the shooting jacket forward of the elbow must be visibly raised from the surface of the firing point. The shooter's sling (left) forearm must form an angle not less than 30 degrees from the horizontal, measured from the axis of the forearm (See Figure 2).



8.13 STANDING

The shooter must stand free with both feet on the firing point surface or on the ground cloth without any other support. The rifle must be held with both hands and the shoulder, the cheek and the part of the chest next to the right shoulder; however, the rifle must not be supported by the jacket or chest beyond the area of the right shoulder and right chest. The left upper arm and elbow may be supported on the chest or on the hip. In the free rifle and sport rifle events a palm rest may be used. In this position, the use of the sling is prohibited for all rifles.

8.14 KNEELING

8.14.1 The shooter may touch the firing point surface with the toes of the right foot, the right knee and the left foot. The rifle must be held with both hands and the right shoulder. The left elbow must be supported on the left knee. The point of the elbow must not be more than 100 mm over or 150 mm behind the point of the knee. The rifle may be supported by the sling but the fore-end behind the left hand or any part of the rifle must not rest on the sling or its attachments. If the kneeling roll is placed under the instep of the right foot, the foot must not be turned at an angle of more than 45 degrees. If the kneeling roll is not used, the foot may be placed at any angle. This may include placing the side of the foot and the lower leg in contact with the surface of the firing point. No portion of the upper leg or buttocks may touch the surface at any point. The shooter may kneel completely on the shooting mat or may have one or two of three points of contact (toe, knee, foot) on the mat. Only the trousers and underclothing may be worn between the shooter's seat and heel. The jacket or other articles must not be placed between these two points or under the right knee.

8.14.2 **Kneeling Roll.** Only one cylindrically shaped roll is allowed for shooting in the kneeling position. The dimensions are a maximum of 25 cm long and 18 cm in diameter. It must be made of soft and flexible material. Binding or other devices to shape the roll are not permitted.

8.15 RIFLE MEETINGS (See also Rule 6)

8.15.1 A Range Officer is empowered to examine rifles at any time during the meeting and will not allow a rifle to be used that he considers unsafe. In the event of an appeal to the Range Committee against the decision of the Range Officer, the rifle must be taken by the competitor, accompanied by the Range Officer, to the Range Committee.

8.15.2 If a rifle should develop an allowable malfunction during a deliberate competition which prevents the discharge of the bullet from the barrel, the Range Officer shall either permit the competitor to finish his shoot with another rifle, or allow him to complete his shoot in a subsequent detail, subject to the condition that the time allowed for the completion of the shoot shall not exceed, for each unexpended round, a proportionate amount of the maximum time allowed for the whole shoot, with time allowed for sighting shots.

8.15.2.1 It is considered an allowable malfunction when:

8.15.2.1.1 a cartridge fails to fire;

8.15.2.1.2 a bullet or pellet is lodged in the barrel;

8.15.2.1.3 the rifle fails to fire, although the trigger has been operated;

8.15.2.1.4 the extractor fails to extract the cartridge.

8.15.2.2 It is considered a non-allowable malfunctions when:

8.15.2.2.1 the shooter has touched the breech, mechanism or safety catch or the rifle has been touched by another person before being inspected by the Range Officer;

8.15.2.2.2 the shooter had not loaded his rifle;

8.15.2.2.3 the shooter did not pull the trigger;

8.15.2.2.4 the malfunction is due to any cause that could reasonably have been corrected by the shooter within the remaining shooting time for that detail.

8.15.3 Conduct Of Shooting (See also Rules 6.9 to 6.11)

8.15.3.1 **Deliberate Rifle**, regardless of position.

8.15.3.1.1 Immediately before the start of a detail, the warnings "Settle down" and "Stand by" will be given 15 seconds and five seconds respectively before the command "Start". The command "Start" may be immediately preceded by the warning "Attention, three, two, one".

8.15.3.1.2 At the moment of the command "Start":

8.15.3.1.2.1 the rifle must be on the ground or table and must not be in contact with any part of the shooter;

8.15.3.1.2.2 the ammunition must not be held or touched by the shooter, be on the loading platform or in the chamber.

8.15.3.1.3 The detail will end with the command "5, 4, 3, 2, 1, Stop", after which no more shots shall be fired.

- 8.15.3.1.4 As an alternative to the oral commands "Start" and "Stop", an audible hooter or bell may be sounded for five seconds. The moment of start will be the instant the sound commences, and stop will be the instant the sound ceases.
- 8.15.3.2 Where the three card system is operating the time allowance will be 20 minutes for firing each 20 shot course and sighting shots. The cards are printed for 25 yd or 25 m with 20 targets and one shot must be fired at each. 50 yd and 50 m cards are printed with four targets and five shots must be fired at each. The 100 yd cards will have two targets and 10 shots must be fired at each. For 25 yd/m cards two sighting targets are provided in the centre of the card and are separated from the competition targets by two distinct black lines. Any sighting shots which gauge above the top line or below the bottom line will be scored as if they had been aimed at a competition target. For 50 yd, 50 m and 100 yd, above the group of competition targets and separated therefrom by a trim line will be separate sighting targets. Any shot touching or within the trim line will be scored as if it had been aimed at a competition target.
- 8.15.3.3 In any deliberate competition, should a competitor be prevented from completing his shoot within the allotted time for any reason outside his control other than the provisions in Rule 8.15.2, the competitor shall give immediate notice to a Range Officer. The competitor may complete that card in the next available detail. The time allowance shall be as for Rule 8.15.2. Further sighting shots will be permitted if required.
- 8.15.3.4 No shooter is allowed to have more than one card at any one butt at any one time.
- 8.15.4.1 Time Limit Prone Rifle**
- 8.15.4.1.1 In competitions in which the conditions specify a special time limit, they shall normally be:
- 8.15.4.1.1.1 10 shots in 90 seconds on a standard target;
- 8.15.4.1.1.2 unlimited shots in 60 seconds on a skirmisher target.
- 8.15.4.1.2 After the warnings "Settle down" and "Stand by" (see Rule 8.15.3.1.1), the next command shall be "Attention – shooters may assume their shooting position", after which shooters may:
- 8.15.4.1.2.1 lift the rifle from the ground and place the butt in the shoulder;
- 8.15.4.1.2.2 place the head behind the rear sight to check alignment with the target;
- 8.15.4.1.2.3 remove the breech flag or other safety device, but the bolt/action may not be closed, nor may the trigger be released;
- 8.15.4.1.2.4 place the ammunition block or holder on the most convenient position for loading.
- 8.15.4.1.3 One minute after the command for shooters to assume their shooting position, the question "Is anyone not ready?" will be asked.
- 8.15.4.1.3.1 If no shooter states that they are not ready, the warning "15 seconds to Start" will be given. After a further 12 seconds the command "Attention, three, two, one, Start" will be given.
- 8.15.4.1.3.2 If a shooter states that they are not ready, the Chief Range Officer will announce "Shooter not ready", and there will be a period of 20 seconds after which the warning "15 seconds to Start" will be given without any further delay.
- 8.15.4.1.4 At the moment of the command "Start" the ammunition must not be held or touched by the shooter, be on the loading platform or in the chamber.
- 8.15.4.1.5 For time limit cards (Rule 8.15.4.1.1.1), intermediate time calls by the Chief Range Officer will be at 10-second intervals, from "10" up to "80", and then the final five seconds will be counted down "5, 4, 3, 2, 1, Stop".
- 8.15.4.1.6 For skirmisher cards (Rule 8.15.4.1.1.2), intermediate time calls by the Chief Range Officer will be at 10-second intervals from "10" up to "50", and the final five seconds will be counted down "5, 4, 3, 2, 1, Stop".
- 8.15.4.1.7 No shots shall be fired after the command "Stop".
- 8.15.4.1.8 Shooters may use their own watch or other timing device, but no intermediate or count-down times may be called by a team captain, coach or any other person except the Chief Range Officer.
- 8.15.4.2 If during the course of a time-limit or skirmisher shoot, a card shall become displaced or the rifle develops an allowable malfunction (Rule 8.15.2.1), the shooter shall be entitled to a re-shoot.
- 8.15.5 Time-Limit Shooting – Lightweight Sport Rifle**
- Competitions in which the conditions specify a time limit of less than 10 minutes for strings of five or 10 shots will be conducted in accordance with Rule 9.5.6 or ISSF pistol rules as applicable. The 'ready' position will be with the magazine loaded and in place on the rifle, the first round in the chamber with the bolt or action closed, and the rifle held pointing downward at an angle of not greater than 45 degrees from the vertical (or as limited by the presence of a shooting bench or table), but must not be pointed at the ground within the forward edge of the firing point.

8.16 BENCHREST RIFLE

- 8.16.1 **Rifle.** Any rifle complying with Rules 8.3.2, 8.3.3 or 8.3.4 may be used.
- 8.16.1.1 Rifles falling within Rule 8.3.3 do not need to comply with the requirements of 8.3.3.1 and 8.3.3.2.
- 8.16.1.2 Rifles fitted with magazines may only be loaded with one cartridge or pellet.
- 8.16.1.3 Rifles may be fitted with a fore-end raising block not exceeding 75 mm (3 in) in width as measured at 90 degrees to the line of the barrel.
- 8.16.2 **Ammunition.** Any ammunition complying with Rules 8.2.1 and 8.2.3.
- 8.16.3 **Position.**
- 8.16.3.1 The shooter must be seated at a bench or table.
- 8.16.3.2 The rifle may be supported by one rest at the fore-end only. A shooter may use a sling, as in prone shooting, instead of but not in addition to a rest.
- 8.16.3.3 When in the firing position, the rifle butt must be located in the shoulder and the stock supported by the shooter's hands. The non-firing hand may rest on the bench and support, but not hold or grip, the rear end of the rifle. This includes the area between the bottom of the pistol grip or any part of the rear of the stock (including butt plate).
- 8.16.3.4 Additions to the top of the butt are allowed to imitate the function of an adjustable cheek piece on a free rifle. Additions to the base of the butt are allowed to increase the depth of the butt, but they must not be gripped by the supporting hand.
- 8.16.3.5 The rear end of the rifle may not rest on or touch the bench, or any pad or other artificial support on the bench, when in the firing position, but may do so between shots and when re-loading. Although the shooters cheek may also be in contact with the stock no other part of the shooters body may be in contact with the rifle.
- 8.16.3.6 A glove may be used on the non-shooting hand conforming to Rule 8.7.
- 8.16.3.7 Shooting clothing may be worn according to Rule 8.8.
- 8.16.4 **Bench.**
- 8.16.4.1 The bench may be of any height to suit the shooter. The bench top may be shaped so as to form an extension to support the right elbow (or left elbow if left-handed), but must in no way control the elbow's position.
- 8.16.4.2 The shooter may cover all or part of the bench with a material to give elbow comfort. The material must not have a thickness of more than 20 mm uncompressed.
- 8.16.5 **Rest.**
- 8.16.5.1 The rest may be of any type of material, may be adjustable for height and may only support the fore-end of the rifle. It may not be fixed to the bench or the fore-end, but must be free to move in relation to both. It must not control the rifle in any way.
- 8.16.5.2 The area of the rest that supports the fore-end of the rifle:
- 8.16.5.2.1 must be flat in the horizontal plane at right angles to the rifle barrel where it contacts the rifle stock;
- 8.16.5.2.2 must be made of a non-pliable material, such as metal or wood;
- 8.16.5.2.3 may have a thin, soft covering, such as cloth, carpet or leather, but the covering must be sufficiently thin that no support is given to either side of the fore-end.
- 8.16.5.3 The rest may have vertical extensions at its sides projecting upwards to prevent the rifle falling off the rest between shots and when re-loading, but the fore-end must be visibly clear of these extensions by at least 10 mm on both sides when the shooter is in the firing position.
- 8.16.5.4 A sandbag may be used to provide the height, but must have a piece of material conforming to 8.16.5.2 interposed between it and the fore-end. The sandbag may not provide any sideways support to the fore-end.
- 8.16.5.5 Neither the rest nor the rifle shall be fitted with any form of stop device that impedes, or forms a buffer to, the front or rear movement of the rifle over the rest.
- 8.16.6 **Seat.** The seat or chair may be of any height or design and may be adjustable for height.
- 8.16.7 **Shooting Distance.** No part of the rifle receiver may be in front of the front marked edge of the firing point (Rule 1.10.2), which must be marked on the bench.

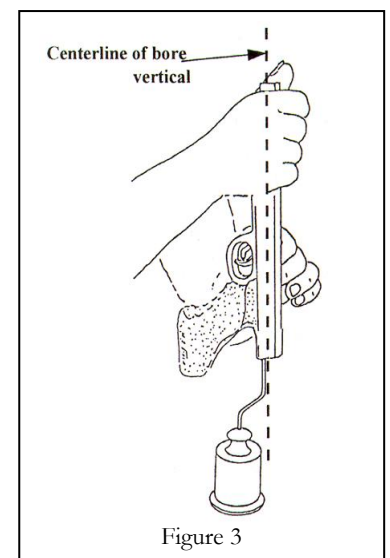
9 PISTOL RULES

9.1 SAFETY

- 9.1.1 The safety of shooters, range personnel and spectators requires continual and careful attention to the handling of pistols and to caution in moving about the range. In the interests of safety a range official may stop shooting at any time. Shooters must immediately notify the Range Officer(s) of any situation that may be dangerous, or which may cause an accident.
- 9.1.2 Pistols may be loaded only at the firing point and only after the command 'Load' has been given. No magazine or chamber may be loaded before this order is given. Whilst loading the pistol must be held over a bench or table when provided, muzzle pointing downwards and in the direction of the target.
- 9.1.3 When the appropriate command to stop or cease fire is given, the shooter must immediately unload his pistol, make it safe and place it on the bench or table. All pistols must be kept unloaded and may not be touched whilst personnel are forward of the firing line. They may only be touched again after the command 'Load' is given.
- 9.1.4 Dry firing and aiming exercises are permitted during the preparation period provided there are no personnel forward of the firing line.
- 9.1.5 After the last shot in a competition, the shooter must ascertain before leaving the firing point that there are no cartridges or pellets in the chamber or magazine.
- 9.1.6 Disqualification or expulsion from the range may follow failure strictly to observe Rule 9.1.

9.2 PISTOLS

- 9.2.1 Pistols used in competitions under NSRA rules must conform with one or more of the following:
- 9.2.1.1 any pistol (single shot, semi-automatic or revolver) chambered for the 5.6 mm (.22 in) rimfire cartridge, barrel length including the cylinder, not exceeding 254 mm (10 in); sights may be adjustable but not over 254 mm (10 in) apart. The trigger must support 1 kg (2.2 lb) weight; or
- 9.2.1.2 any pistol (single shot, semi-automatic or revolver) chambered for the 5.6 mm (.22 in) rimfire cartridge, sights may be adjustable; or
- 9.2.1.3 any type of compressed air or CO₂ pistol calibre not exceeding 5.6 mm (.22 in) and of dimensions not exceeding those in Rule 9.2.1.1. The trigger must support 500 g (1.1 lb) weight; or
- 9.2.1.4 any air pistol complying with Rule 9.2.3; or
- 9.2.1.5 any type of muzzle-loading pistol or revolver of 5.6 mm (0.22 in) calibre.
- 9.2.2 Pistols used in competitions under ISSF or other rules must conform to the specific regulations governing those competitions.
- 9.2.3 Air pistols used in competitions under ISSF rules may be any type of compressed air or CO₂ pistol calibre 4.5 mm (.177 in) which conforms with current ISSF regulations.
- 9.2.4 **Sights.** All front and rear sights must be strictly open; the notch must not be narrower at the top than at any other part. Aperture or peep sights or any covered, shaded or telescope sights are not permitted. Both front and rear sights may be adjustable laterally and/or vertically and may be coloured and/or include light reflecting substances.
- 9.2.5 **Orthoptics.** The use of a fixed hole or iris aperture, worn by the shooter but not attached to the pistol, is permitted.
- 9.2.6 **Air pistol pellets.** Only flat headed projectiles made of lead or similar soft material are permitted.
- 9.2.7 **Grips.** Any type of grip is permitted provided that no part of the grip or attachment thereto extends beyond the junction of the hand and the wrist and cannot provide any support whatever to the pistol by the wrist or forearm.
- 9.2.8 **Testing of triggers.** The Range Officer or his assistant may test triggers before and/or after the competition. A trigger weight must be available for use by the competitors. The pistol must be checked to ensure that it is unloaded. Whilst the trigger is being tested, pistols shall be held with the barrel perpendicular to the horizontal surface on which the trigger weight is supported. The roller or hook of the test weight shall rest on the lowest point of the curve of curved triggers, or on a point approximately 6 mm (.25 in) from the tip of straight triggers. The weight shall be applied by raising the pistol gently without jerking, until the weight is clear of the supporting surface. In the case of semi-automatic pistols an empty magazine must be in the pistol whilst the trigger is being tested (See Figure 3).



9.3 ACCESSORIES

- 9.3.1 **Clothing.** The use of special devices, means or garments which support or immobilise the shooter's legs, body or arms is prohibited.
- 9.3.2 **Shooting kits.** May be taken to the firing point only if they are of such size and construction as not to interfere with shooters on adjacent firing points. Shooting kits may not be used in any way as a wind-break.
- 9.3.3 **Holsters.** Pistols and revolvers are not permitted to be carried in holsters when worn. Holstered pistols or revolvers may only be used as directed for the course of fire and only at the actual firing point during the course of fire (or immediate preparation for it). Any pistol or revolver must be observed to be unloaded with breech or cylinder open and magazine removed on a suitable bench or table in between courses of fire.
- 9.3.4 **Telescopes and binoculars.** The use of telescope or binoculars to spot shots is permitted.

9.4 SHOOTING POSITION

- 9.4.1 Subject to Rule 9.4.2, the shooter shall stand free, without support, completely within the space provided and behind the firing line. The pistol shall be held with one hand and discharged with the same hand. The shooting arm must not be supported by the grip or any other part of the pistol, or by any other means. Bracelets, wrist-watches, wrist bands, bandages or similar items which may provide support are prohibited on the shooting hand and arm.
- 9.4.2 **Young shooters.** Shooters under the age of 13 years, in accordance with Rule 3.5.1, may hold the pistol in two hands. The two-handed position may be used in any competition falling within Levels 3 to 8 inclusive of Rule 4.6.

9.5 CONDUCT OF SHOOTING

- 9.5.1 **Screens.** If used, screens should be sufficiently wide to shield effectively the firer's pistol. They may be made of any material capable of stopping an ejected cartridge case.
- 9.5.2 **Firer's table.** A bench or table must be provided which is approximately 0.9 to 1.0 m high.
- 9.5.3 **Extra shots.** Shots for warming, fouling or proving a pistol may be fired only at the discretion of the Range Officer.
- 9.5.4 **Changing of pistols.** No shooter will change his pistol during the firing of a match (except aggregate matches), unless it has become disabled and has been so designated by the Range Officer. The substitute pistol must be approved by the Range Officer.
- 9.5.5 **Disabled pistol.** A disabled pistol is one which cannot safely be fired or made ready to fire. A pistol once declared 'disabled' shall not again be used for competitive firing until the defect has been corrected and the pistol has been ruled as safe by the Range Officer.
- 9.5.6 **Range commands**
- 9.5.6.1 All range commands will be given by the Range Officer. Prior to commencement of firing the Range Officer will command, 'Put up your targets' or 'Change targets'.
- 9.5.6.2 Each shooter in that detail then puts up his target and takes his place at his allotted firing point. During this time pistols must not be handled whilst there are people in front of the firing line.
- 9.5.6.3 After the command 'No more targets', the command 'Load' will be given (Rule 9.1.2). Pistols may be cocked; the shooter may try his aim.
- 9.5.6.4 'Are you ready' is a preparatory command, to enable any competitor not ready to announce the fact. However, 'Not ready' is available only once in each relay. After a suitable interval, approximately 15 seconds, the command 'Are you ready' is repeated followed by the command 'Fire'.
- 9.5.6.5 If no reply is heard after the first preparatory command 'Are you ready', the command 'Fire' is given. It is given either verbally or with a short sharp blast on the whistle, or similar signal, approximately seven seconds after 'Are you ready'.
- 9.5.6.6 The competition or series starts at the moment the command 'Fire' is given by the Range Officer. Every shot fired after this must count. The time allowed for each series of 10 shots is 10 minutes unless the rules of the competition state otherwise. The series ends at the time the Range Officer signals 'Cease fire'.

9.6 MALFUNCTIONS

- 9.6.1 Extra time can be granted if the malfunction of the pistol is not the fault of the shooter.
- 9.6.2 **Incomplete string.** If a shot has not been fired due to a malfunctioning of the pistol, the shooter must hold his pistol pointing down range, retain his grip without touching the breech or the safety catch, and immediately inform the Range Officer by raising his free hand.
- 9.6.3 **Refire.** If the Range Officer decides, after inspection of the pistol, that the shooter has an allowable malfunction, he will:

- 9.6.3.1 in slow-fire competitions, allow additional time, not to exceed the time limit for the competition being fired, for each shot remaining unfired;
- 9.6.3.2 in rapid-fire and in the timed or rapid sequence of any other competition, allow the interrupted series to be repeated after all other shooters have completed all five shot series in the same stage. The score of the interrupted series will be determined as the five lowest valued shots on the target(s).
- 9.6.4 The above procedures are allowable:
 - 9.6.4.1 once in each 30 shot stage of Rapid Fire Pistol and 25m Pistol events;
 - 9.6.4.2 once in the 150 seconds stage and once in the combined twenty seconds and ten seconds stages of the Standard Pistol and equivalent Lightweight Sport rifle events; and
 - 9.6.4.3 once in each series of 10 shots slow-fire.
 - 9.6.4.4 No extra time will be allowed for malfunctions in 50m Pistol or Air Pistol.
- 9.6.5 ALLOWABLE MALFUNCTIONS (AM) are:
 - 9.6.5.1 a bullet is lodged in the barrel;
 - 9.6.5.2 the trigger mechanism has failed to operate;
 - 9.6.5.3 there is an undischarged cartridge in the chamber and the trigger mechanism has been released and operated;
 - 9.6.5.4 the cartridge case has not been extracted or ejected;
 - 9.6.5.5 the cartridge, magazine, cylinder or other part of the pistol has jammed;
 - 9.6.5.6 the firing pin has broken or any other part of the pistol is damaged sufficiently to prevent the pistol from functioning;
 - 9.6.5.7 the pistol fires automatically without the trigger being released. The shooter must stop firing immediately and must not continue to use such a pistol without the permission of a Range Officer or a Jury Member. When using electronic targets the first shot will be scored by the system and this will be credited to the shooter. When using paper targets should the automatically fired shot(s) hit the target, the hit(s) found highest up on the target shall be disregarded before the repeat series. After any repeat series all the shot(s), except those that were disregarded on the one target concerned, must be included to establish the score;
 - 9.6.5.8 the slide jams or the empty case is not ejected, this applies even if a case catcher is used.
- 9.6.6 NON-ALLOWABLE MALFUNCTIONS (NAM) are:
 - 9.6.6.1 the shooter has touched the breech, mechanism or safety catch or the pistol has been touched by another person before being inspected by the Range Officer;
 - 9.6.6.2 the safety catch has not been released;
 - 9.6.6.3 the shooter had not loaded his pistol;
 - 9.6.6.4 the shooter had loaded less cartridges than prescribed;
 - 9.6.6.5 the shooter did not allow the trigger to return far enough after the previous shot;
 - 9.6.6.6 the pistol was loaded with the wrong ammunition;
 - 9.6.6.7 the magazine was not inserted correctly or had fallen out during shooting unless this is due to damage to the mechanism (Rule 9.6.5.6);
 - 9.6.6.8 the malfunction is due to any cause that could reasonably have been corrected by the shooter.
- 9.6.7 When determining the cause of a malfunction, if the external appearance of the pistol does not show an obvious reason for the malfunction and if the shooter does not claim that there may be a bullet stuck in the barrel (Rule 9.6.5.1), the Range Officer must pick up the pistol without interfering with or touching the mechanism, point the pistol in a safe direction and pull the trigger one time only to determine whether the trigger mechanism had been released. If the pistol is a revolver, the Range Officer must not pull the trigger unless the hammer is in the cocked position. If the pistol does not discharge, the Range Officer must complete the examination of the pistol to determine the cause of the malfunction and to decide whether or not the malfunction is allowable.
- 9.6.8 If the Range Officer decides that the failure is not an allowable malfunction then, in rapid-fire and in the timed and rapid sequence of any other competition, the interrupted series shall be repeated after all other shooters have completed all five shot series in the same stage. The score of the interrupted series will be determined by scoring the lowest valued shots on the target(s) and counting the non allowable malfunction as a miss. In slow-fire there will be no re-shoot but the shooter may, if time permits, correct the fault and continue firing.

TARGET DIMENSIONS

Sizes of scoring rings for edge touching on NSRA Targets. All dimensions are in millimetres. The theoretical dimensions have been rounded to two places of decimals. Prevailing atmospheric conditions may affect target paper leading to minor differences between printed and theoretical dimensions.

RIFLE TARGETS**1989 SERIES - SHORT RANGE**

Scoring Ring Value	(Outward gauging - see Rule 5.1.7)			
	25 yards	20 yards	15 yards	25 metres
Centre Dot	1.00	1.00	1.00	1.00
1st scoring ring	12.92	11.45	9.99	13.60
2nd	20.23	17.30	14.38	21.60
3rd	27.55	23.16	18.77	29.60
4th	34.86	29.01	23.16	37.60
5th	42.18	34.86	27.55	45.60
6th	49.49	40.71	31.93	
7th	56.81	46.56	36.32	
8th	64.12	52.42	40.71	
9th	71.44	58.27	45.10	
10th	78.75	64.12	49.49	
Aiming Mark	51.39	41.11	30.84	56.20

1989 SERIES - LONG RANGE

Scoring Ring Value	(Inward gauging - see Rule 5.1.6)	
	100 yards	50 yards
X Ring	12.40	4.09
10	26.48	9.03
9	57.32	23.66
8	88.16	38.29
7	119.00	52.92
6	149.84	67.55
5	180.68	82.18
4	211.52	96.81
3	242.36	
2	273.20	
Aiming Mark	205.55	102.78

DECIMAL (CADET & SCHOOLS SERIES)

Scoring Ring Value	(Inward gauging - see Rule 5.1.6)		
	25 yards	20 yards	15 yards
10	8.51	5.69	2.87
9	21.21	15.85	10.49
8	33.91	26.01	18.11
7	46.61	36.17	25.73
6	59.31	46.33	33.35
5	72.01	56.49	40.97
Aiming Mark	contained within the 7 ring		

METRIC (MM8)

Scoring Ring Value	(Inward gauging - see Rule 5.1.6)
	50 yards
X Ring	8.91
10	17.81
9	36.07
8	54.41
7	72.65
6	90.93
5	109.22
Aiming Mark	contained within the 5 ring

SKIRMISHER TARGETS

(Inward gauging - see Rule 5.1.6)

A grid of eight target areas each containing one oval figure of dimensions:

	height	width
25 yards	1.05 in	0.7 in
25 metres	29.90 mm	19.76 mm

The ovals are not proportionate for distance.

PISTOL TARGETS

(Inward gauging - see Rules 5.1.6)

Scoring Ring Value	20 yards				50 yards	
	Slow-Fire	Metric	Standard Pistol	Slow-Fire		
	PL3	PL5	PL15	PL14	PL12	PL6
X Ring	-	5.59	14.73	5.59	16.78	43.06
10	28.45	14.73	33.02	14.73	35.05	86.11
9	47.75	33.02	51.31	33.02	71.63	140.75
8	69.09	51.31	69.60	51.31	108.20	203.20
7	94.74	69.60	87.88	69.60	144.78	279.40
6	128.02	87.88	106.17	87.88	181.36	375.92
5	170.69	106.17	124.46	106.17	217.93	499.87
4	224.54	124.46	142.75	124.46	254.51	-
3	-	142.75	161.04	142.75	-	-
2	-	161.04	179.32	161.04	-	-
1	-	179.32	197.61	179.32	-	-
Aiming Mark	94.74	69.60	87.88	87.88	144.78	203.20

AIR GUN TARGETS

6 YARDS

(Inward gauging - see Rule 5.1.6)

Scoring Ring Value	Air Rifle	Air Pistol	Air Pistol
	AIR 7	AIR 8	AIR 6
10	1.00	4.55	12.00
9	6.00	13.33	28.00
8	11.00	22.11	44.00
7	16.00	30.89	60.00
6	21.00	39.66	76.00
5	26.00	48.44	92.00
4	31.00	57.22	108.00
3	36.00	66.00	124.00
2	41.00	74.77	140.00
1	46.00	83.55	156.00
0		92.33	
Aiming Mark	16.00	30.89	44.00

10 METRES

(Outward gauging with a 5.6 mm (.22 in) gauge – see Rule 5.1.7)

Scoring Ring Value	Air Rifle
Centre Dot	AIR 11 1.00
1st scoring ring	8.80
2nd	12.00
3rd	15.20
4th	18.40
5th	21.60
6th	24.80
7th	28.00
8th	31.20
9th	34.40
10th	37.60
Aiming Mark	31.20

ISSF TARGETS

Dimensions of ISSF targets are as stated in ISSF General Technical Rules.

APPENDIX B

GAUGE DIMENSIONS

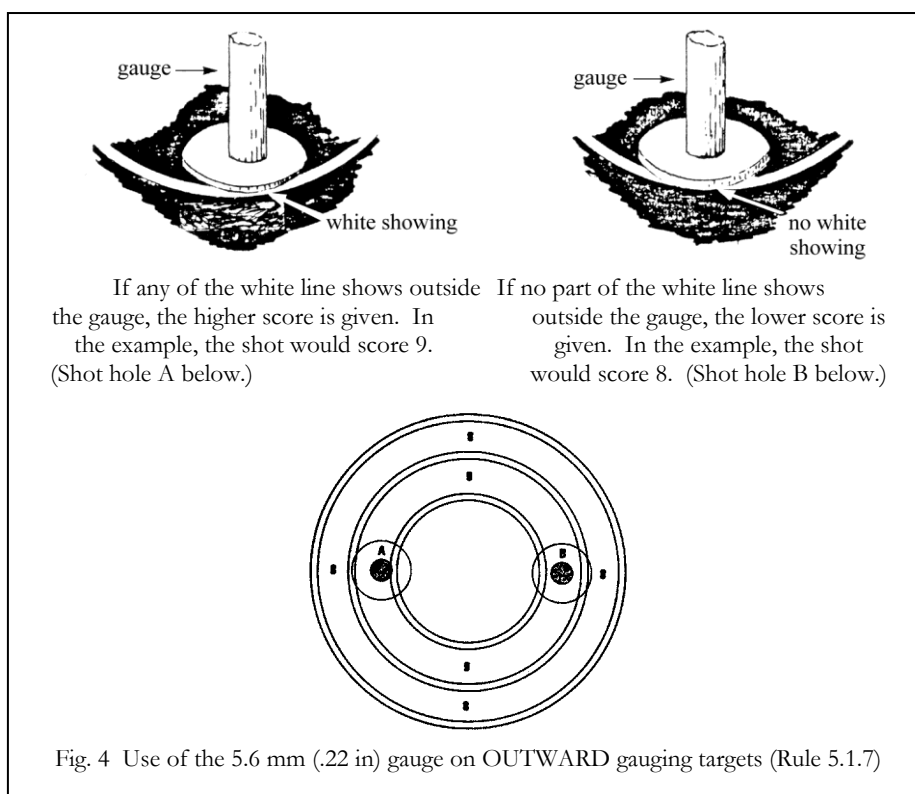
All dimensions are in millimetres except where indicated.

CENTRE FIRE PISTOL

Measuring edge diameter: 9.65 mm (+ 0.05/- 0.00 mm)
Edge thickness: 0.50 mm approximately
Spindle diameter: According to calibre being scored
Spindle length: 10 mm to 15 mm
To be used for: Centre-fire pistol events

SMALL BORE RIFLE AND PISTOL 5.6 mm (.22 in)

Measuring edge diameter: 5.60 mm (+ 0.05/- 0.00 mm) (.22 in + 0.002 in - 0.00 in)
Edge thickness: 0.50 mm approximately
Spindle diameter: 5.00 mm - 5.2 mm (.197 in - .205 in)
Spindle length: 10 mm to 15 mm
To be used for: All events using 5.6 mm (.22 in) ammunition



OVERSIZE GAUGES FOR SMALL BORE RIFLE 5.6 mm (.22 in)

(for use when scoring 1989 series targets – Rule 5.1.8)

Dimensions as above except:

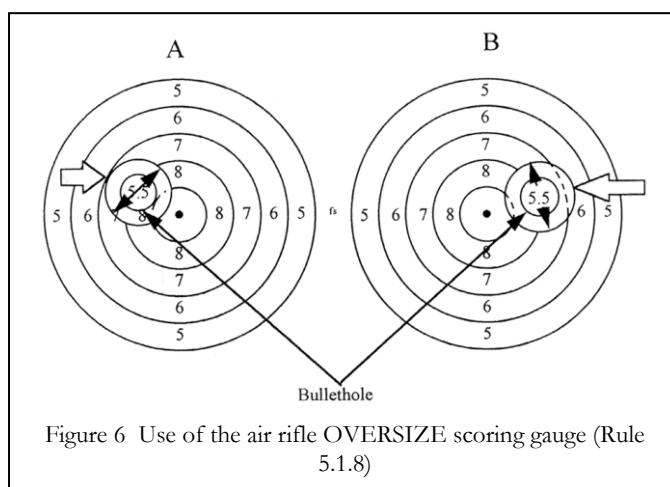
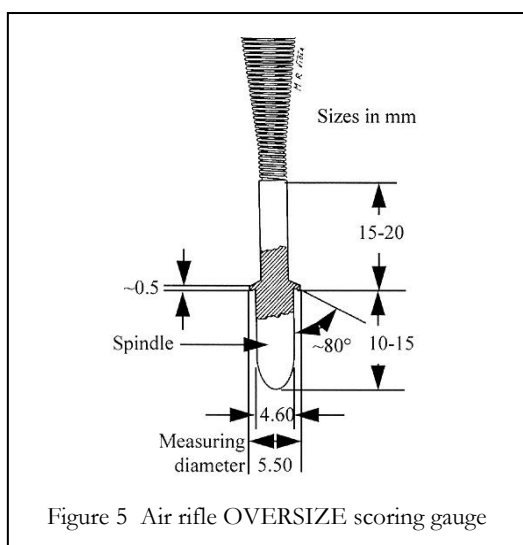
Measuring edge diameter:	for 15 yards	9.99 mm (+0.00/-0.05 mm)
	for 20 yards	11.45 mm (+0.00/-0.05 mm)
	for 25 yards	12.91 mm (+0.00/-0.05 mm)
	for 25 metres	13.60 mm (+0.00/-0.05 mm)
	for 50 yards	9.03 mm (+0.00/-0.05 mm)
	for 50 metres	10.40 mm (+0.00/-0.05 mm)
	for 100 yards	25.24 mm (+0.00/-0.05 mm)

4.5 mm GAUGE FOR AIR RIFLE, RUNNING TARGET AND AIR PISTOL

Measuring edge diameter: 4.50 mm (+ 0.05/- 0.00 mm)
 Edge thickness: 0.50 mm approximately
 Spindle diameter: Measuring edge diameter minus 0.02 mm (4.48 mm)
 Spindle length: 10 mm to 15 mm
 To be used for: Measuring inner tens in all 10 m events.
 Measuring the 1 and 2 rings of 10 m air rifle and running targets. Measuring the 1 ring of 10 m air pistol targets. Measuring the 4 and 5 rings of 6 yd air rifle targets.

4.5 mm OVERSIZE GAUGE FOR 10 m AIR RIFLE AND RUNNING TARGET AND FOR 6 yard AIR RIFLE

Measuring edge diameter: 5.50 mm (+ 0.00/- 0.05 mm)
 Edge thickness: 0.50 mm approximately
 Spindle diameter: 4.60 mm (+/- 0.05 mm)
 Spindle length: 10 mm to 15 mm
 To be used for: 10 m air rifle and running targets, rings 3 to 10 and 6 yard air rifle, rings 6 to 10.

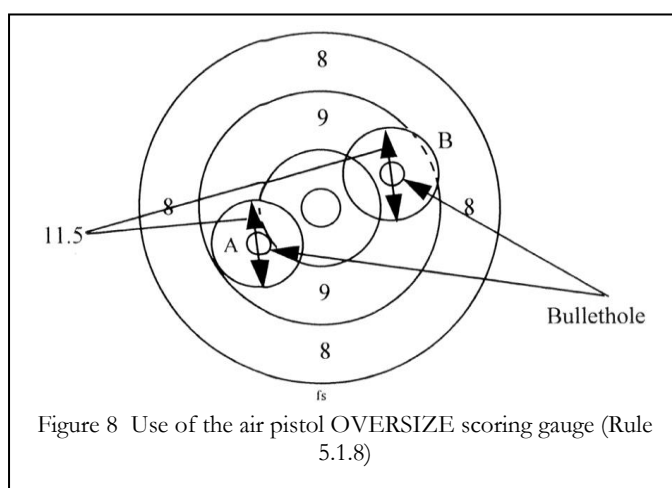
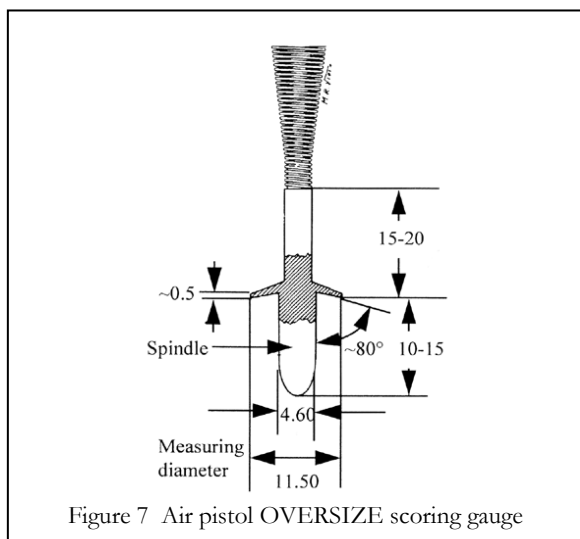


The 'A' illustration depicts a doubtful shot hole. The oversize scoring gauge shows the outside edge of the flange lying within the 7 ring, therefore the shot is scored a 9.

The 'B' illustration depicts a doubtful shot hole. The oversize scoring gauge shows the outside edge of the flange lying over the 7 ring and into the 6 zone, therefore the shot is an 8.

4.5 mm OVERSIZE GAUGE FOR 10m AIR PISTOL

Measuring edge diameter: 11.50 mm (+ 0.00/- 0.05 mm)
 Edge thickness: 0.50 mm approximately
 Spindle diameter: 4.60 mm (+/- 0.05 mm)
 Spindle length: 10 mm to 15 mm
 To be used for: 10 m air pistol, rings 2 to 10.



The 'A' illustration depicts a doubtful shot hole with the oversize scoring gauge in place. The outside edge of the flange is within the 9 ring, therefore the shot is scored a 10.

The 'B' illustration depicts a doubtful shot hole with the oversize scoring gauge in place. The outside edge of the flange is lying over the 9 ring line and into the 8 zone, therefore the shot is scored a 9.

4.5 mm OVERSIZE GAUGE FOR 6 yard AIR PISTOL

Measuring edge diameter: 13.05 mm (+ 0.00/- 0.05 mm)
Edge thickness: 0.50 mm approximately
Spindle diameter: 4.60 mm (+/- 0.05 mm)
Spindle length: 10 mm to 15 mm
To be used for: 6 yard air pistol, rings 1 to 10.

SPECIAL NOTE - GRADUATED GAUGES

The general use of graduated gauges for deciding ties in NSRA competitions was removed from NSRA Rules and Regulations with effect from 1 April 2002. Other organisations may continue to use them for this purpose in accordance with their own rules.

However, commencing 1 April 2017 they are re-introduced for use at National Rifle Meetings when all other tie breaking rules have failed to decide the winner of a trophy.

The dimensions of the gauges are shown here.

GRADUATED GAUGES FOR SMALL BORE RIFLE 5.6 mm (.22 in)

(dimensions in inches)

15 yards238	.268	.298	.328	.358	.388
20 yards244	.284	.324	.364	.404	.444
25 yards25	.30	.35	.40	.45	.50
25 metres253	.308	.362	.417	.472	.526
50 yards ...	as for 25 yards, plus .60 .70 .80 .90 and 1.00					
100 yards ...	as for 25 and 50 yards, plus 1.20 1.40 1.60 1.80 and 2.00					

All measuring edge diameters to a tolerance of + 0.002 in/-0.00 in.